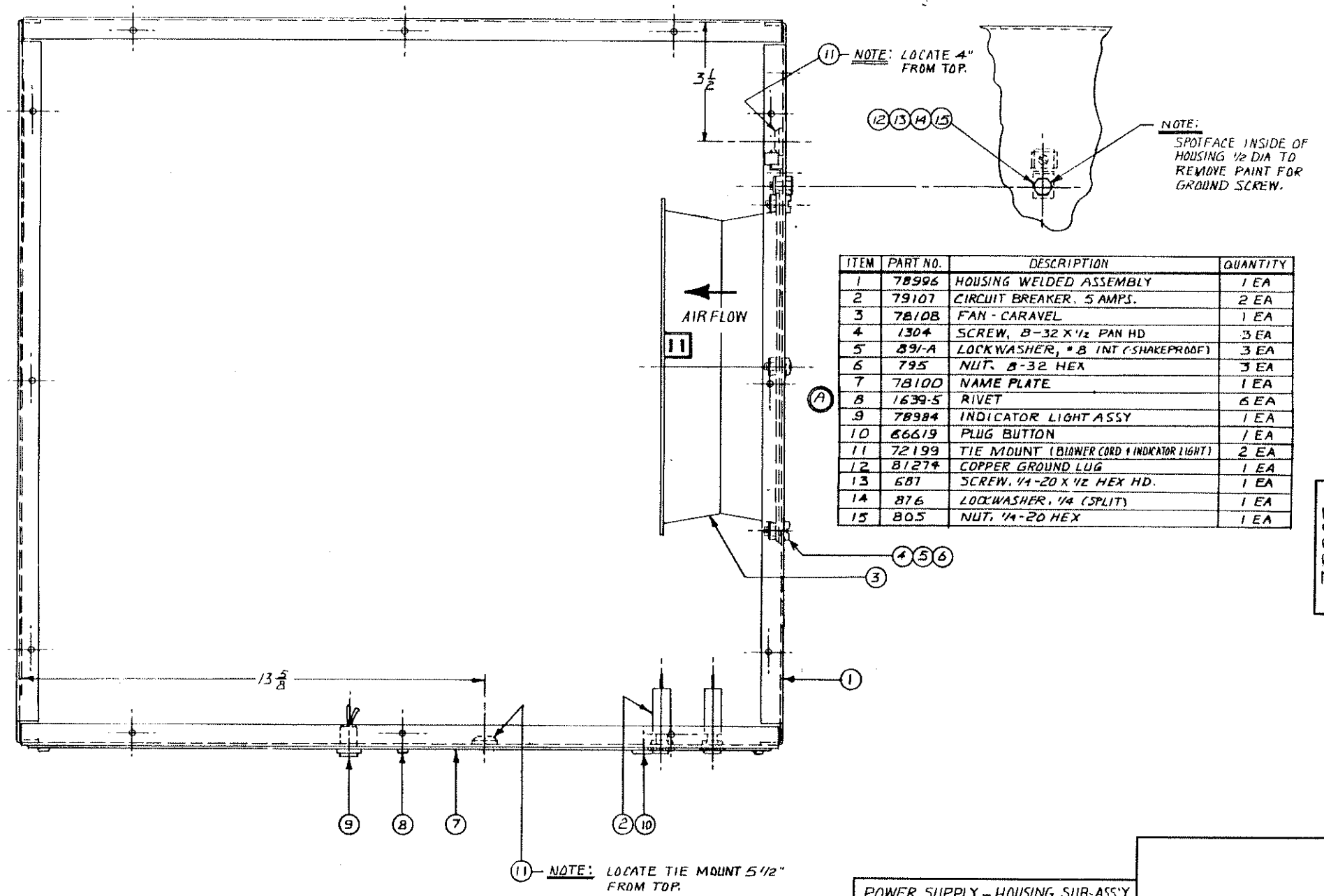


SYL.	REVISION RECORD	DATE	APPROV.
A	5 WWS 1639-3	8-2-83	GL



ITEM	PART NO.	DESCRIPTION	QUANTITY
1	78996	HOUSING WELDED ASSEMBLY	1 EA
2	79107	CIRCUIT BREAKER, 5 AMPS.	2 EA
3	78108	FAN - CARAVEL	1 EA
4	1304	SCREW, 8-32 X 1/2 PAN HD	3 EA
5	891-A	LOCKWASHER, # 8 INT (SHAKEPROOF)	3 EA
6	795	NUT, 8-32 HEX	3 EA
7	78100	NAME PLATE	1 EA
8	1639-5	RIVET	6 EA
9	78984	INDICATOR LIGHT ASSY	1 EA
10	86619	PLUG BUTTON	1 EA
11	72199	TIE MOUNT (BLOWER CORD & INDICATOR LIGHT)	2 EA
12	81274	COPPER GROUND LUG	1 EA
13	687	SCREW, 1/4-20 X 1/2 HEX HD.	1 EA
14	876	LOCKWASHER, 1/4 (SPLIT)	1 EA
15	805	NUT, 1/4-20 HEX	1 EA

AIRFLOW ←

11

A

4 5 6

3

1

13 5/8

9

8

7

2 10

11 NOTE: LOCATE TIE MOUNT 5 1/2" FROM TOP.

78997

QTY	DESCRIPTION	MODEL OR TYPE
F.A. 1	78003-1,2	
F.A. 1	78002-1,2	
F.A. 1	78001-1,2,3,4	

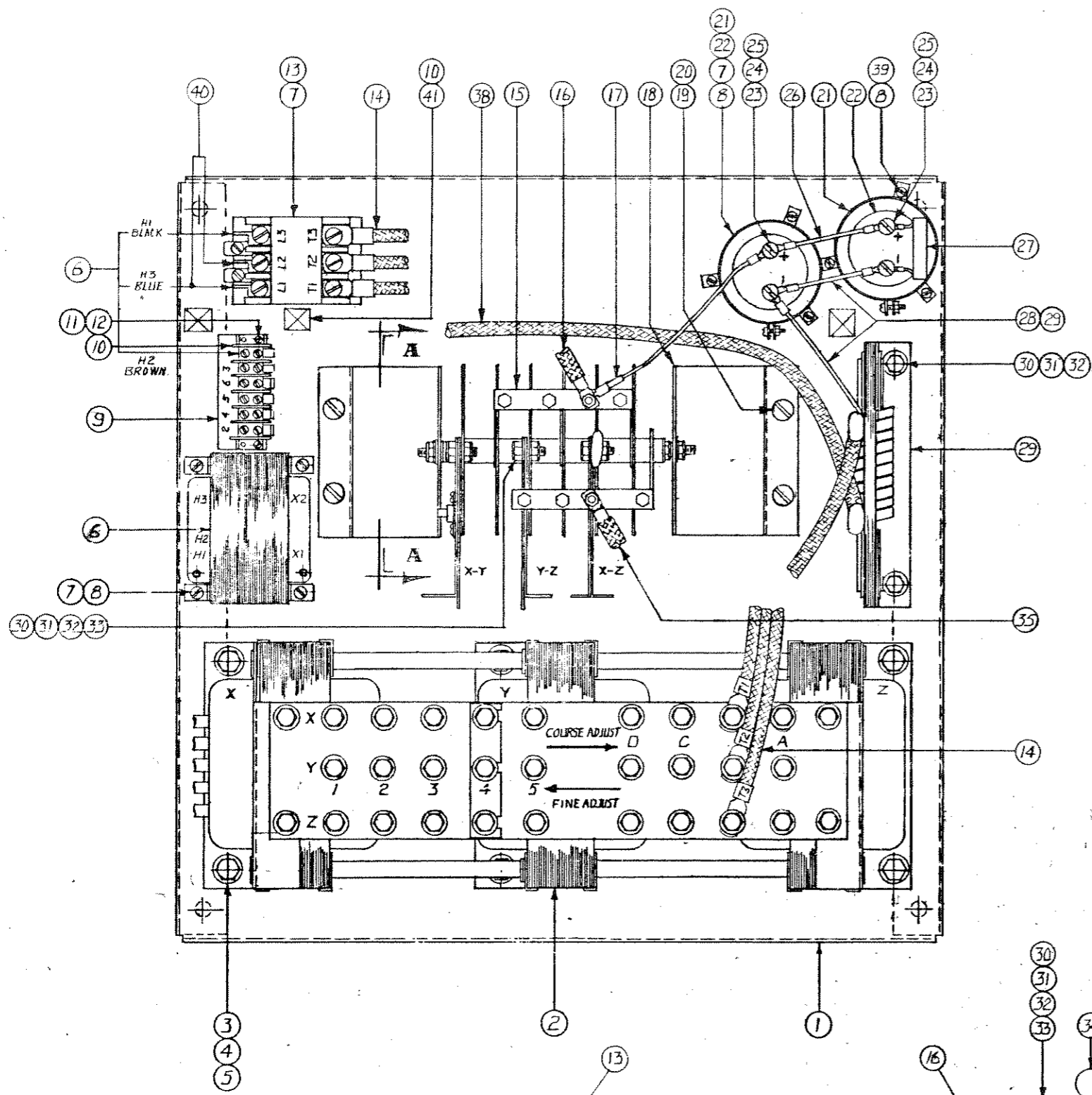
POWER SUPPLY - HOUSING SUB-ASS'Y

MATERIAL	AS SHOWN
BLANK SIZE	WEIGHT
FINISH	
HEAT TREAT	
SUPERSOFTENED	
SUPERSOFTENED BY	

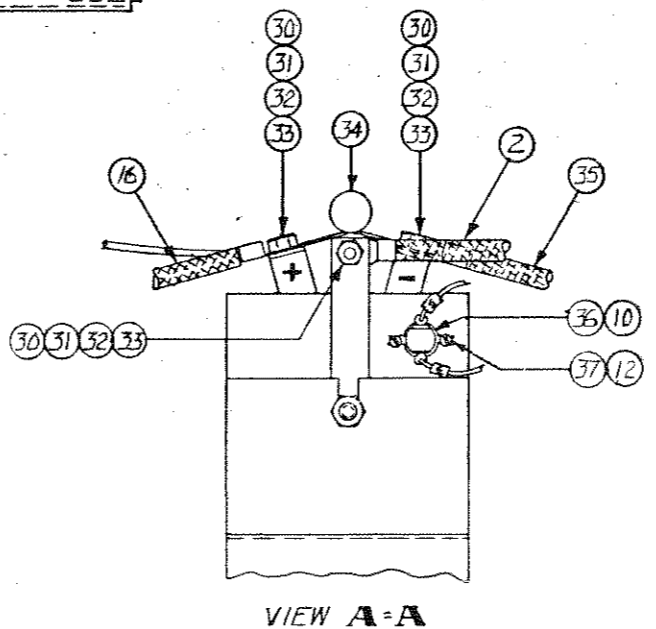
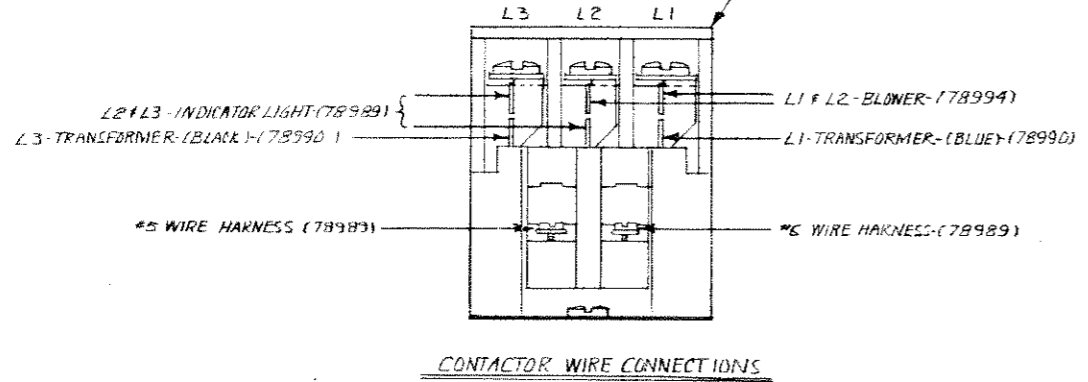
WHS 72851	
SCALE HALF	DRAWN BY LEICHTY
DATE 2-2-83	CHECKED BY

UNLESS OTHERWISE SPECIFIED
BREAK SHARP EDGES REMOVE ALL BURRS
TOLERANCES OF ALL PRAC. DIM TO BE ± 1/64"
TOLERANCES OF ALL DETAIL DIM TO BE ± .001

REV.	REVISION RECORD	DATE



ITEM	PART NO.	DESCRIPTION	QUANTITY
1	78998	BASE PLATE WELDED ASSY	1 EA
2	78001-1B	TRANSFORMER, BANKED & WIRED ASS'Y	1 EA
3	1346	SCREW, 5/16-18 X 1/2 HEX HD.	6 EA
4	877	LOCKWASHER, 5/16 (SPLIT)	6 EA
5	853	WASHER, 5/16 (FLAT)	6 EA
6	78990	CONTROL TRANSFORMER ASS'Y	1 EA
7	1304	SCREW, 8-32 X 5/16 PAN HD.	6 EA
8	891-A	LOCKWASHER, #8 INT. (SHAKEPROOF)	10 EA
9	77219	TERMINAL BLOCK MARKER STRIP (6)	1 EA
10	78989	WIRE HARNESS ASSY	1 EA
11	1473	SCREW, 6-32 X 1/2 PAN HD.	2 EA
12	892	LOCKWASHER, #6 INT. (SHAKEPROOF)	4 EA
13	8816	CONTACTOR	1 EA
14	78985	CONTACTOR WIRE ASSY	1 EA
15	77198	RECTIFIER STACK	1 EA
16	78991	POS. RECTIFIER CABLE ASSY	1 EA
17	77875	RECTIFIER WIRE ASSY	1 EA
18	78112	RECTIFIER MOUNTING BRACKET	2 EA
19	543	SCREW, 10-32 X 3/8 PAN HD.	4 EA
20	889	LOCKWASHER, 1/4 INT. (SHAKEPROOF)	4 EA
21	77143	CAPACITOR MOUNTING CLAMP	2 EA
22	84151	CAPACITOR, 1200 MFD	2 EA
23	1307	SCREW, 10-32 X 5/16 PAN HD.	4 EA
24	1344	LOCKWASHER, #10 INT. (SHAKEPROOF)	4 EA
25	831	WASHER, #10 (FLAT)	4 EA
26	77944	POSITIVE CAPACITOR WIRE ASSY	1 EA
27	77868	RESISTOR ASSY, 1500 OHM	1 EA
28	77945	NEGATIVE CAPACITOR WIRE ASSY	1 EA
29	78995	CAAM CHOKE WIRE ASSY (78986 REF.)	1 EA
30	691	SCREW, 1/4-20 X 3/4 HEX HD.	7 EA
31	876	LOCKWASHER, 1/4 (SPLIT)	7 EA
32	852	WASHER, 1/4 (FLAT)	7 EA
33	805	NUT, 1/4-20 HEX	5 EA
34	77957	CAPACITOR ASSY, .01 MFD.	1 EA
35	---	CAAM CHOKE CABLE ASSY (78993 REF.)	---
36	88118	THERMAL SWITCH	1 EA
37	178	SCREW, 6-32 X 3/16 FIL. HD.	2 EA
38	---	CAAM CHOKE CABLE ASSY (78992 REF.)	---
39	1382	SCREW, 8-32 X 3/16 PAN HD.	6 EA
40	78994	BLOWER CORD ASSY	1 EA
41	72199	WIRE HARNESS TIE MOUNT	3 EA



NOTE:
 USE WIRING DIAGRAM DURING ASSEMBLY FOR PROPER WIRE CONNECTIONS.
 78001-1, WD-184
 78001-2, WD-186

POWER SUPPLY-BASE PLATE ASSEMBLY

MATERIAL	AS SHOWN	WEIGHT	
BLANK SIZE			
FINISH			
HEAT TREAT			
SUPERSEDED BY			
UNLESS OTHERWISE SPECIFIED			
BREAK SHARP EDGES	REMOVE ALL BURRS		
TOLERANCES OF ALL PARTS TO BE	1/16"		
SCALE	HALF	DRAWN BY	LEICHT
DATE	2-9-82	CHECKED BY	
FA	1	78001-1,2	
The Strong Electric Corp.			78999

XENON POWER SUPPLY (M/P)
 2500/3000 WATT, 3 PHASE.
 60HZ. 208/230 VOLTS