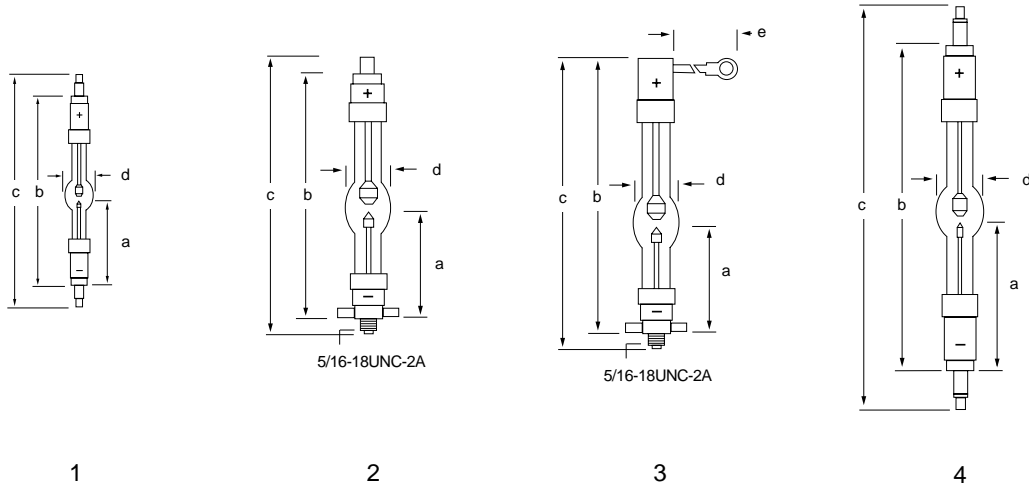




Xenon Short Arc Lamps

4350 McKinley St.
 Omaha, NE 68112
 Tel: 402-453-4444
 Toll-Free: 800-424-1215
 Fax: 402-453-7238



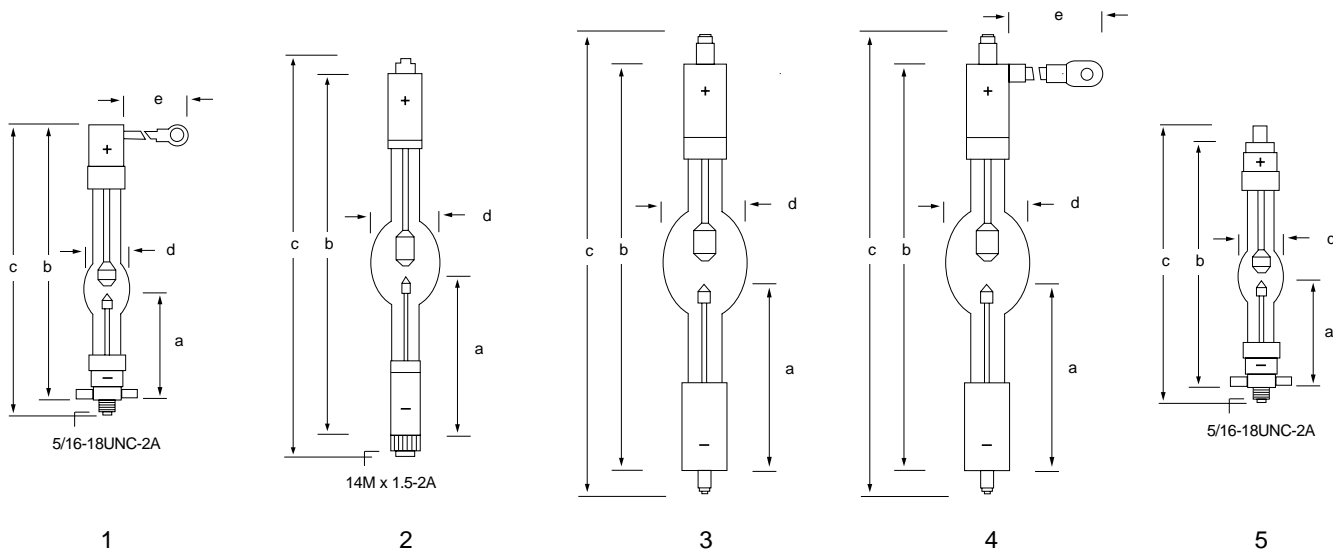
Part Number	Description	P (Watts)	V	Current (A)	Lumen Output	Min/Max (A)	Magnet	Cooling	Diameter d (mm)	Length c max. (mm)	Length b max. (mm)	Distance a (mm)	Anode (+) base diameter (mm)	Anode pin diameter (mm)	Cathode (-) base diameter (mm)	Cathode pin diameter (mm)	Lead Length e (mm)	Drawing number
2110014	LTIX-500W-H	500	17	28	14,500	17/30	requ.	requ.	35	190	165	75	16	8	15	10	-	1
3130200	LTIX-700W-HS	700	18	37	20,000	30/45	-	requ.	40	235	205	95	27	11	27	8	-	2
3130201	LTIX-700W-HSC	700	18	37	20,000	30/45	-	requ.	40	235	222	95	27	-	27	8	254	3
3130202	LTIX-900W-H	900	19	45	30,000	30/53	-	-	40	325	277	123	25	10	5	12	-	4
3130204	LTIX-1000W-HS	1000	19	50	32,000	30/55	-	requ.	40	235	205	95	27	11	27	8	-	2

C = Cable
 S = Short
 SHSC = Super Short
 TT = Two Threaded Pins
 TP = Threaded Pin



Xenon Short Arc Lamps

4350 McKinley St.
 Omaha, NE 68112
 Tel: 402-453-4444
 Toll-Free: 800-424-1215
 Fax: 402-453-7238



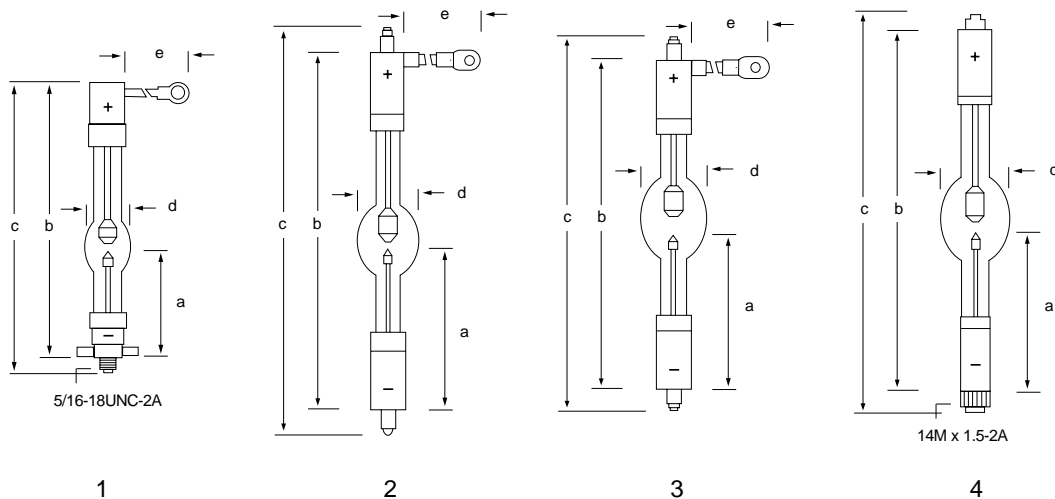
Part Number	Description	Power (W)	V	Current (A)	Lumen Output	Min/Max (A)	Magnet	Cooling	Diameter d (mm)	Length c max. (mm)	Length b max. (mm)	Distance a (mm)	Anode (+) base diameter (mm)	Anode pin diameter (mm)	Cathode (-) base diameter (mm)	Cathode pin diameter (mm)	Lead Length e (mm)	Drawing number
3130205	LTIX-1000W-HSC	1000	19	50	32,000	30/55	-	requ.	40	236	222	95	27	-	27	8	254	1
3130206	LTIX-1000W-HTP	1000	21	45	35,000	30/55	requ.	-	46	330	277	123	25	14	25	14	-	2
3130207	LTIX-1600W-H	1600	24	65	60,000	45/75	-	-	52	370	322	142.5	27	10	27	12	-	3
3130208	LTIX-1600W-HC	1600	24	65	60,000	45/75	-	-	52	370	322	142.5	27	10	27	12	280	4
3130209	LTIX-1600W-HS	1550	23	65	60,000	50/70	-	requ.	46	235	205	95	27	11	27	8	-	5

C = Cable
 S = Short
 SHSC = Super Short
 TT = Two Threaded Pins
 TP = Threaded Pin



Xenon Short Arc Lamps

4350 McKinley St.
 Omaha, NE 68112
 Tel: 402-453-4444
 Toll-Free: 800-424-1215
 Fax: 402-453-7238



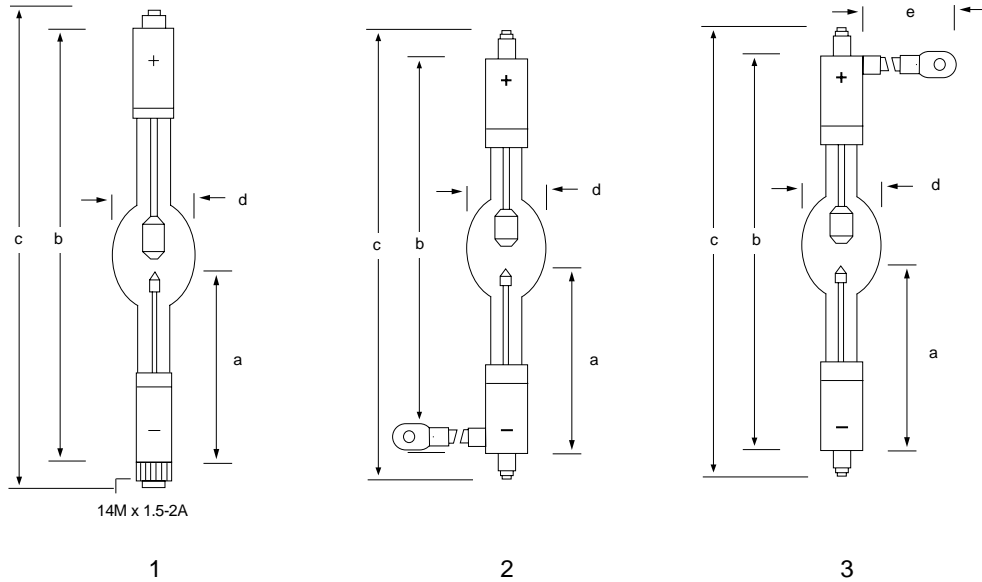
Part Number	Description	POMegd (W)	V	Current (A)	Lumen Output	Min/Max (A)	Magnet	Cooling	Diameter d (mm)	Length c max. (mm)	Length b max. (mm)	Distance a (mm)	Anode (+) base diameter (mm)	Anode pin diameter (mm)	Cathode (-) base diameter (mm)	Cathode pin diameter (mm)	Lead Length e (mm)	Drawing number
3130210	LTIX-1600W-HSC	1550	23	65	60,000	50/70	-	requ.	46	235	222	95	27	-	27	8	254	1
3130211	LTIX-2000W-H	2000	27	70	80,000	50/85	requ.	-	52	370	322	142.5	27	10	27	12	280	2
3130213	LTIX2000W-HS	2000	24	80	80,000	50/85	-	requ.	60	342	302	145	27	9.5	27	7.9	280	3
3130214	LTIX-2000W-SHSC	2000	27	70	80,000	50/85	-	requ.	46	235	222	95	27	-	27	8	254	1
3130215	LTIX-2000W-HTP	2000	27	70	80,000	50/85	requ.	-	52	375	322	142.5	25	14	25	14	-	4

C = Cable
 S = Short
 SHSC = Super Short
 TT = Two Threaded Pins
 TP = Threaded Pin



Xenon Short Arc Lamps

4350 McKinley St.
 Omaha, NE 68112
 Tel: 402-453-4444
 Toll-Free: 800-424-1215
 Fax: 402-453-7238



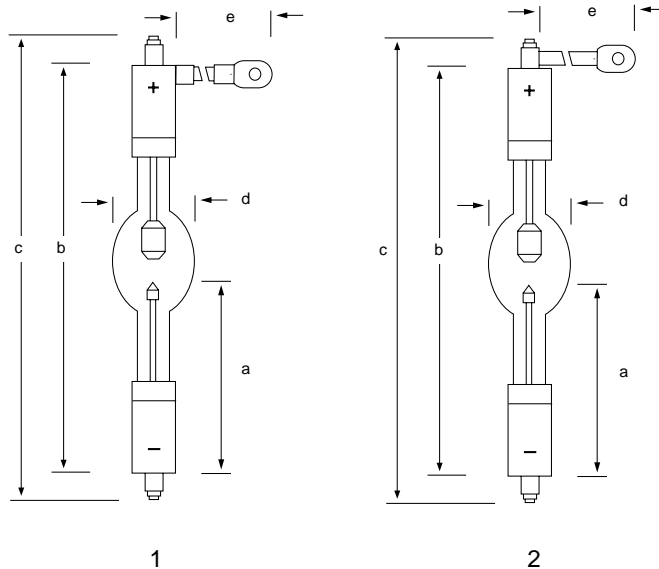
Part Number	Description	Power (W)	Voltage (V)	Current (A)	Lumen Output	Min/Max (A)	Magnet	Cooling	Diameter d (mm)	Length c max. (mm)	Length b max. (mm)	Distance a (mm)	Anode (+) base diameter (mm)	Anode pin diameter (mm)	Cathode (-) base diameter (mm)	Cathode pin diameter (mm)	Lead Length e (mm)	Drawing number
2110028	LTIX-3000W-HTP	3000	29	100	130,000	60/110	requ.	requ.	66	405	357	162.5	27	14	27	14	-	1
2110048	LTIX-4000W-XS	4000	30	130	155,000	100/140	-	requ.	70	418	361	173	27	14	27	9	-	2
2110029	LTIX-4500W-HS	4000	29	135	155,000	80/150	-	requ.	70	410	370	171	30	9.5	30	7.9	305	3
2110030	LTIX-4000W-HTP	4000	30	130	155,000	100/140	-	requ.	70	433	382	167.5	27	14	27	14	-	1
211002	LTIX-4200W-H	4200	29	140	190,000	80/160	-	requ.	70	428	382	167.5	27	13	27	14	305	3

C = Cable
 S = Short
 SHSC = Super Short
 TT = Two Threaded Pins
 TP = Threaded Pin



Xenon Short Arc Lamps

4350 McKinley St.
 Omaha, NE 68112
 Tel: 402-453-4444
 Toll-Free: 800-424-1215
 Fax: 402-453-7238



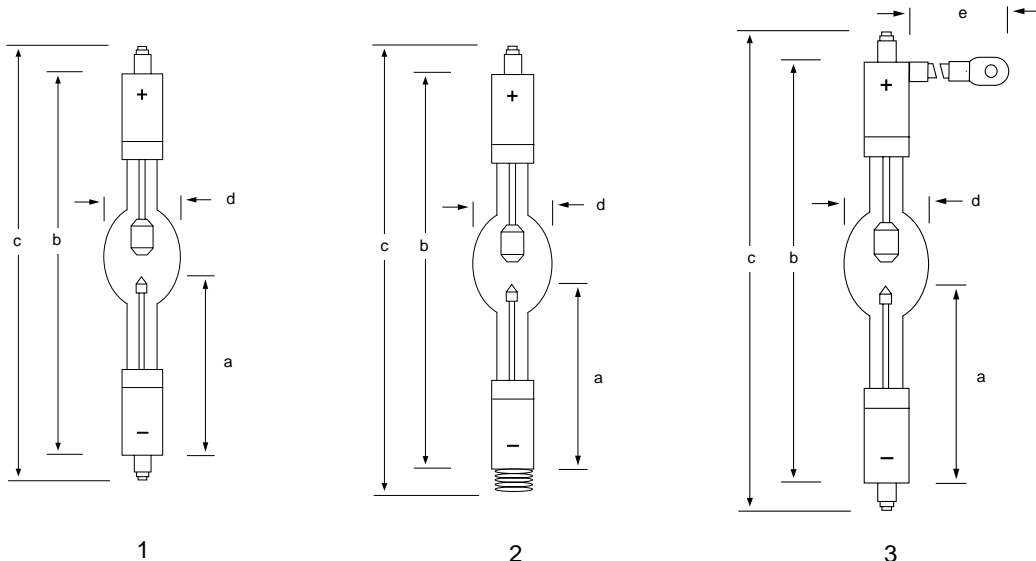
Part Number	Description	Power (W)	Voltage (V)	Current (A)	Lumen Output	Min/Max (A)	Magnet	Cooling	Diameter d (mm)	Length c max. (mm)	Length b max. (mm)	Distance a (mm)	Anode (+) base diameter (mm)	Anode pin diameter (mm)	Cathode (-) base diameter (mm)	Cathode pin diameter (mm)	Lead Length e (mm)	Drawing number
2110032	LTIX-5000W-H	5000	33	140	225,000	100/150	requ.	requ.	70	433	382	167.5	30	16	30	18	305	1
2110044	LTIX-6000W-HS	6000	42	140	320,000	110/155	-	requ.	78	433	393	170.5	30	9.5	30	7.9	406	2
2110011	LTIX-6500W-H	6500	40	160	325,000	80/160	-	requ.	60	483	434	200	30	20	30	22	305	1
2110003	LTIX-7000W-HS	6800	41	160	350,000	110/165	requ.	requ.	78	433	393	170.5	30	9.5	30	7.9	305	1
2110012	LTIX-7000W-H	6880	41	160	350,000	110/165	-	requ.	78	433	382	170	30	13	30	14	305	1

C = Cable
 S = Short
 SHSC = Super Short
 TT = Two Threaded Pins
 TP = Threaded Pin



Xenon Short Arc Lamps

4350 McKinley St.
 Omaha, NE 68112
 Tel: 402-453-4444
 Toll-Free: 800-424-1215
 Fax: 402-453-7238



Part Number	Description	Power (W)	Voltage (V)	Current (A)	Lumen Output	Min/Max (A)	Magnet	Cooling	Diameter d (mm)	Length c max. (mm)	Length b max. (mm)	Distance a (mm)	Anode (+) base diameter (mm)	Anode pin diameter (mm)	Cathode (-) base diameter (mm)	Cathode pin diameter (mm)	Lead Length e (mm)	Drawing number
2110051	LTIX-7000W-XS	6880	41	160	350,000	110/165	-	requ.	78	418	360	159	30	14	30	10	-	1
2110047	LTIX-7000W-XT	6880	41	160	350,000	110/165	-	requ.	78	430	390	174	30	24	30	10	1.25-2A-016-ACME-3B	2
2110013	LTIX-10000W-HS	9600	59	160	500,000	110/170	-	requ.	78	483	434	200	30	20	30	22	457	3

C = Cable
 S = Short
 SHSC = Super Short
 TT = Two Threaded Pins
 TP = Threaded Pin