

INSTALLATION INSTRUCTIONS
LOBSTERSCOPE KIT NO. 51838A
(TROUPER)

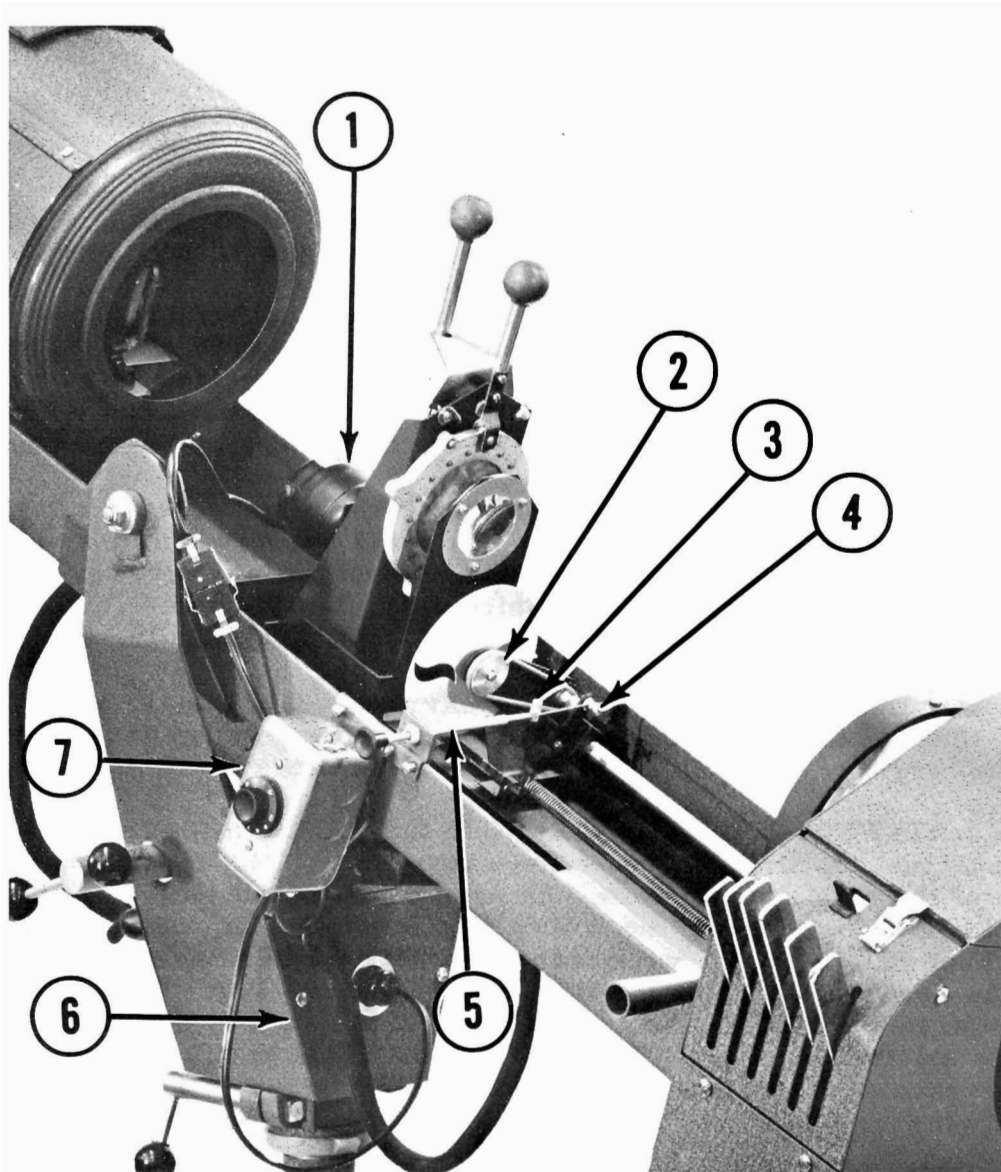
MOVE THE LARGE LENS ASSEMBLY to the extreme rear position. Loosen the wing nut on the color boomerang and tilt the boomerang forward. Remove the casting on the top of the optical system cover. Loosen the screws on the optical system cover. Slide the optical system cover forward and lift off. Slide the light cone into the lamphouse and move the large lens assembly forward. Attach the motor assembly to the optical base making sure the bracket is fully seated and the groove in the motor assembly bracket is located over the lens carriage rod. **Tighten the screws to secure in place.**

REMOVE ONE SCREW and loosen the other screw from the clamp on the support arm assembly (item 2). Place the support arm assembly on the carriage rod in front of the small lens. Loosen the set screw on the motor shaft securing the flexible cable. Position the flexible cable equally between the motor shaft and the shaft of the support arm. Tighten the set screws to secure. Hold the Lobsterscope disc up and move the large lens all the way back. Lower the disc until there is approximately 1/4" clearance between the disc and the large lens carriage. Tighten the screws on the support arm. Return the large lens to the forward position and move the disc up.

VIEWING THE LOBSTERSCOPE DISC from the front of the spotlight, move the support arm until the outer rim of the disc gives maximum coverage of the small lens. (Note: An edge of the small lens will show.) With the disc in position remove the cotter key from the support arm assembly. With the knob in, install the wire from the control cable assembly (item 5) into the hole as shown and tighten the wire swivel screw securely. Install the control cable assembly and tighten securely with the screws provided. Move the large lens all the way back. Pull the control cable knob out until the edge of the Lobsterscope disc clears the friction brake casting by 1/16 to 1/8 inch. Move the wire stop against the spiral tubing and tighten the screw securely.

TILT THE SPOTLIGHT DOWN and attach the motor control box (item 7) as shown making sure it clears the yoke. Secure with the two screws furnished. Connect the wire with the 3-pin connector to the motor plug. Position the wires and plugs under the motor so they do not touch the light cone or lamphouse. **NOTE: The twist-lock receptacle is not used on the Trouper.**

REMOVE THE YOKE TERMINAL BOX BLANK PLATE exposing the wiring and replace with the plug cover plate (item 6). Route the red and white wires of the plug cover plate through the yoke and connect to the control circuit receptacle in the yoke terminal box plate. Secure the plate in place with the hardware from the blank plate. Connect the power cable with the twist-lock plug from the motor control box to the receptacle in the plug cover plate. Slide the light cone into place and replace the optical system cover, top casting, and color boomerang.



| | | | | | |
|---|---------|----------------------|---|-------|----------------------------|
| 1 | 51835-A | Motor Assy. | 5 | 51831 | Control Cable Assy. |
| | 23287 | Motor | | 51560 | Support Control Cable |
| | 23288 | Flexible Cable | | 51575 | Control Cable |
| | 51568 | Bracket, Mtr. Mtg. | 6 | 51833 | Plug, Cover Plate |
| | 51579 | Spacer, Mtr. Mtg. | | 51574 | Plate, Plug In Cover |
| | 64246 | Plug | | 56428 | Sta-Kon Terminal |
| 2 | 51834 | Support Arm Assy. | | 90628 | Base, Female Hubbell #7468 |
| | 23289 | Belt, Drive | 7 | 51818 | Motor Control Box |
| | 51561 | Shaft | | 17014 | Cable Clamp |
| | 51562 | Pulley Disc | | 51595 | Cover, Box |
| | 51563 | Clamp Support, Lower | | 51597 | Switch, Toggle |
| | 51565 | Pulley, Motor Drive | | 51598 | Motor Speed Control |
| | 51567 | Disc, Lobsterscope | | 51817 | Utility Box |
| | 51580 | Shaft, Disc | | 64247 | Socket |
| | 90383 | Bearing | | 66303 | Fuse 1 Amp 250V |
| | 90432 | Truarc Ring 5100-68 | | 66441 | Fuse Extractor Post |
| 3 | 51576 | Wire Swivel | | 66665 | Indicating Switch Plate |
| 4 | 51577 | Wire Stop | | 90605 | Cord Cap |
| | | | | 90624 | Connector Body |