

Instructions

**FOR
EQUIPMENT**

Type

TROUPERETTE

45000-4

11-71

STRONG ELECTRIC

87 CITY PARK AVE., TOLEDO, OHIO

SETTING UP SPOTLIGHT

FASTEN THE THREE CAST IRON STAND LEGS to the end of the outer tube with the six cap screws, lockwashers and nuts furnished in the small cardboard box.

INSERT THE CASTERS in the hole provided in each leg only if the spotlight is to be portable. If the spotlight is to remain in a fixed location the casters need not be inserted, and if desired lag bolts can be used to secure the base to the floor.

MOUNT THE SPOTLIGHT on the yoke by clamping the height adjustment collar, then lowering the lamp saddle into the slots provided. Be sure the leather disc friction washer is between the metal friction surfaces of the saddle and yoke.

CLAMP THE LAMPHOUSE in a horizontal position by tightening the vertical tilt locking knob located on the saddle.

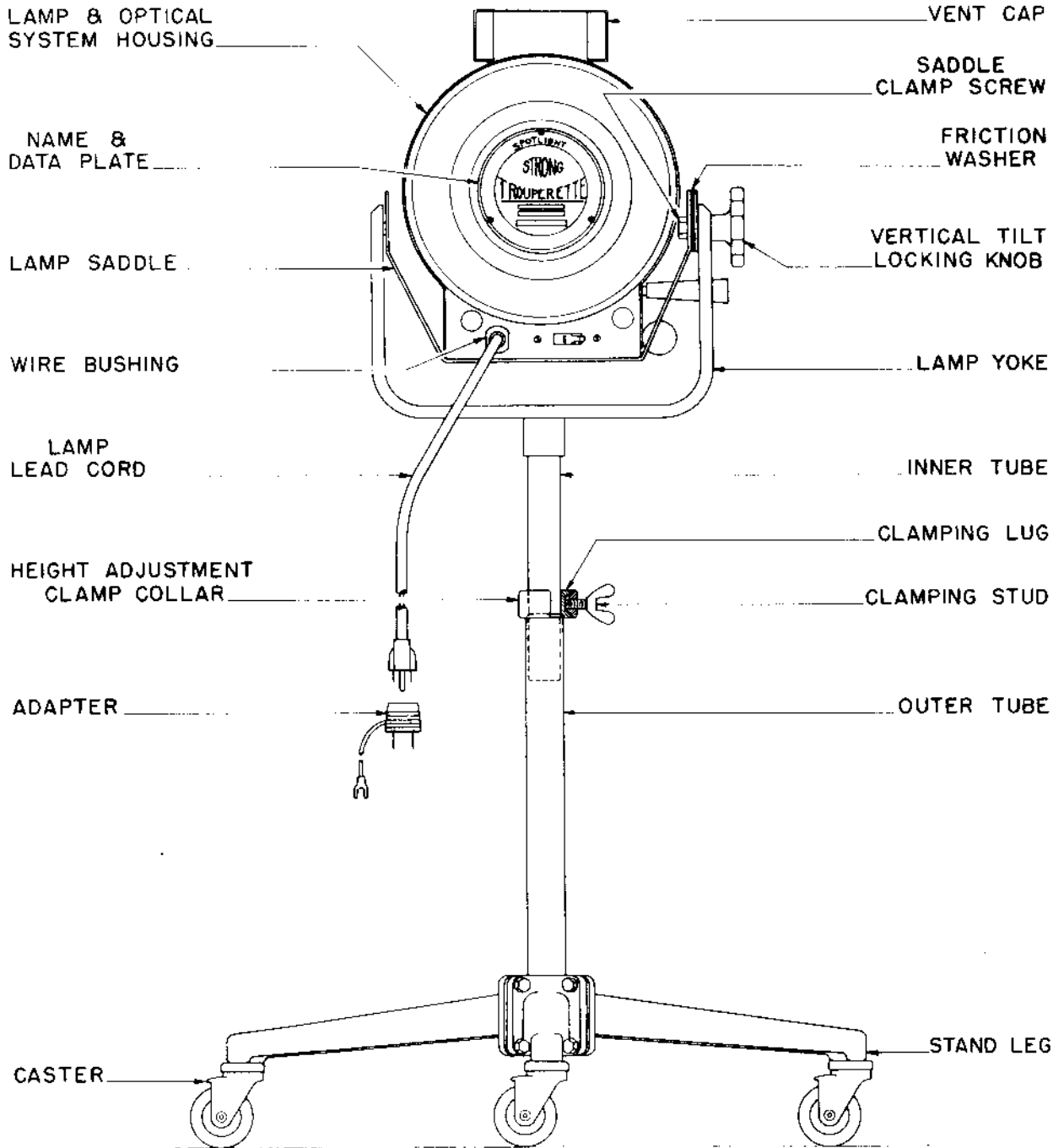
TO ADJUST THE HEIGHT OF THE SPOTLIGHT loosen the height adjustment clamp and raise or lower as desired. The height range from floor to optical center is 45" to 70". If more height is desired the inner tube can be replaced with a piece of standard 1" pipe of the desired length threaded on one end.

A 1000 WATT, 120 Volt, Type T-20 Mogul prefocus base projection bulb is required for the Trouperette. This bulb has a rated life of 50 hours operation and it is advisable to always have a spare bulb immediately available.

TO INSERT THE BULB, remove the vent cap assembly by pressing in on its sides and lifting it off the lamp. Insert the bulb in the holder, press down and give a 1/4 turn in a clockwise direction. Snap the vent cap back in place.

WHEN MOVING THE SPOTLIGHT from one location to another, it is advisable to remove and pack the bulb separately as it is very susceptible to breakage from jars and shocks.

PLATE 1734



OPERATION OF OPTICAL SYSTEM

THE APERTURE SELECTOR is the front handle projecting through the top of the lamphouse cover plate assembly. When this handle is to the left, looking at the spotlight from the rear, the largest aperture is obtained. Smaller apertures are obtained as the handle is moved to the right.

THE SPOT SIZE CONTROL HANDLE is located on the right side of the spotlight housing just above the base pan. A variation of spot sizes in a ratio of 5 to 1 can be obtained with the movement of the spot size control from one extreme to the other.

THE MAXIMUM FLOOD SPOT is obtained with the aperture selector handle to the left for the large aperture and with the spot size control handle moved as far as possible toward the rear.

SMALLER SIZED SPOTS are projected as the spot size control handle is moved forward. Most of the spot sizes needed will be produced with the large aperture.

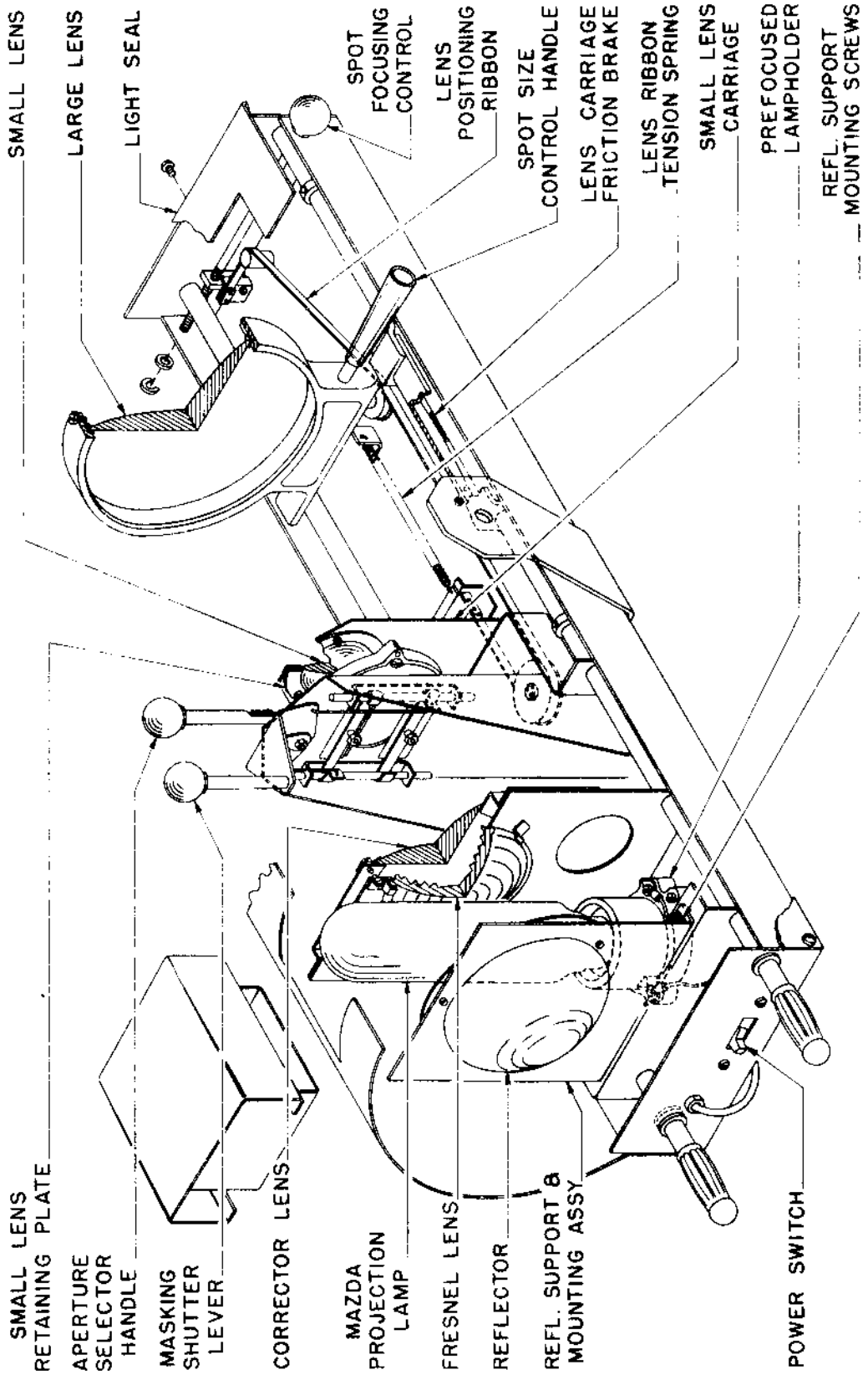
FOR A "HEAD SPOT" or any spot size smaller than can be obtained with the spot size control handle in its extreme forward position, shift the aperture selector handle to the right for a smaller aperture. The aperture selector handle should always be returned to its extreme left position before the spot size control handle is again moved to obtain larger spots.

THE MASKING SHUTTER LEVER and dowser is the rear lever projecting through the top of the lamphouse cover plate assembly. The masking shutter blades are operated by this lever to shape the projected spot to a rectangular or strip spot.

THE MASKING SHUTTER BLADES are open when the masking shutter lever is to the extreme right. Varying degrees of masking to complete cutoff are obtained by moving the lever to the left.

THE SPOT FOCUSING CONTROL is located on the side of the optical system base pan, toward the front, and is used to adjust the optical system for the length of throw. When making an adjustment the aperture selector handle should be to the left and the spot size control handle moved about 5" from the extreme front position; then rotate the spot focusing control until the sharpest edge is obtained on the projected spot.

PLATE 1736



OPERATION OF COLOR BOOMERANG

THE COLOR BOOMERANG is equipped with 6 color filter discs containing the following colors in order from rear to front: (1) Bastard Amber, (2) Flesh Pink, (3) Medium Pink, (4) Light Magenta, (5) Special Lavender and (6) Special Steel Blue.

THE SIX COLOR DISC LEVERS are mounted in the cover plate casting directly in front of the aperture selector lever.

TO INSERT A COLOR DISC in the light beam move the proper color disc lever to the left as far as possible.

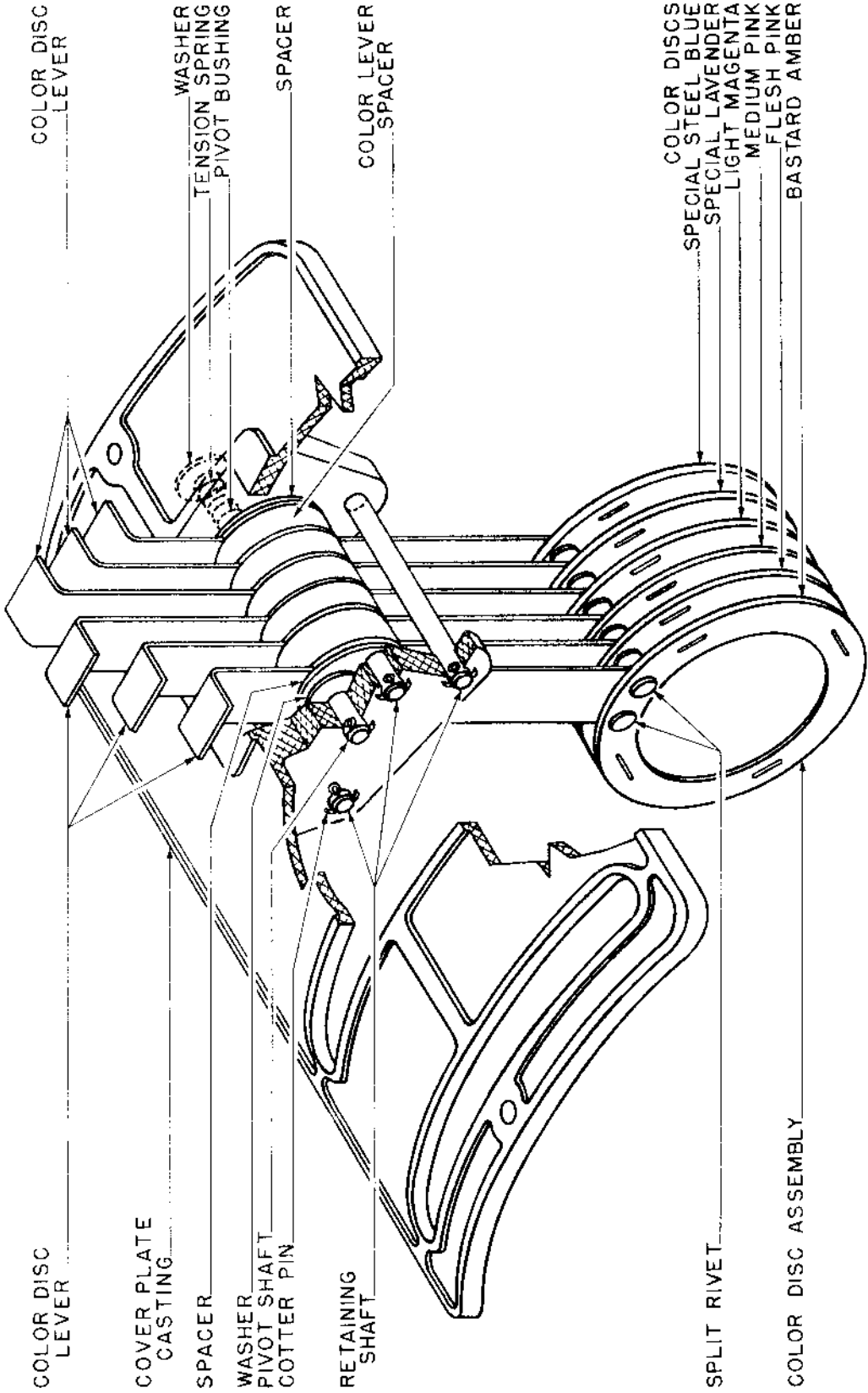
TO RELEASE A COLOR DISC move the lever to the extreme right. Be sure that the lever is always fully returned to the limit of its movement.

TO REMOVE A COLOR DISC ASSEMBLY remove the knobs on the aperture selector and masking shutter levers. Remove the two end screws from the cover plate casting and lift off, together with the boomerang. The two split rivets holding the color disc assembly can now be removed and a new color disc assembly installed. Only the six above mentioned color discs should be used in the boomerang.

ONE AUXILIARY COLOR FRAME is provided for use when any special colors are desired. A gelatine filter cut to 9-1/4 x 9-1/2" will fit into the frame. Extra Strong Trouperette color frames can be obtained from your supply dealer.

TO INSERT THE AUXILIARY COLOR FRAME slip it quickly into the spring filter holder clip at the extreme front of the lamphouse below the light exit opening.

PLATE 826



HANDLING THE SPOTLIGHT

GENERALLY THE BEST POSITION FOR OPERATION is to stand at the center of the spotlight on the right hand side, although angle of tilt and the size of porthole may alter the position for most convenient and effortless operation.

ONE HAND SHOULD BE KEPT ON THE SPOT SIZE SELECTOR handle as the spot can thus be both directed and changed in size instantly.

THE OTHER HAND generally is used for operating the aperture selector handle, masking shutter lever, boomerang and steadying the spotlight.

THE VERTICAL TILT LOCKING KNOB located on the lamp saddle assembly can be set to give the required amount of friction on the spotlamp swing to suit the individual operator.

**TO REMOVE LAMP AND OPTICAL HOUSING AND ADJUST
ANGULARITY OF MASKING SHUTTER BLADE**

AN UNBALANCED CONDITION will occur when the housing is removed, therefore the vertical tilt locking knob should be tight.

POSITION THE LARGE LENS in the spot position by sliding the spot size control handle to the extreme forward position.

REMOVE THE KNOBS from both the masking shutter and the aperture selector levers. Remove the spot size control handle.

REMOVE ALL SCREWS securing the housing to the pan.

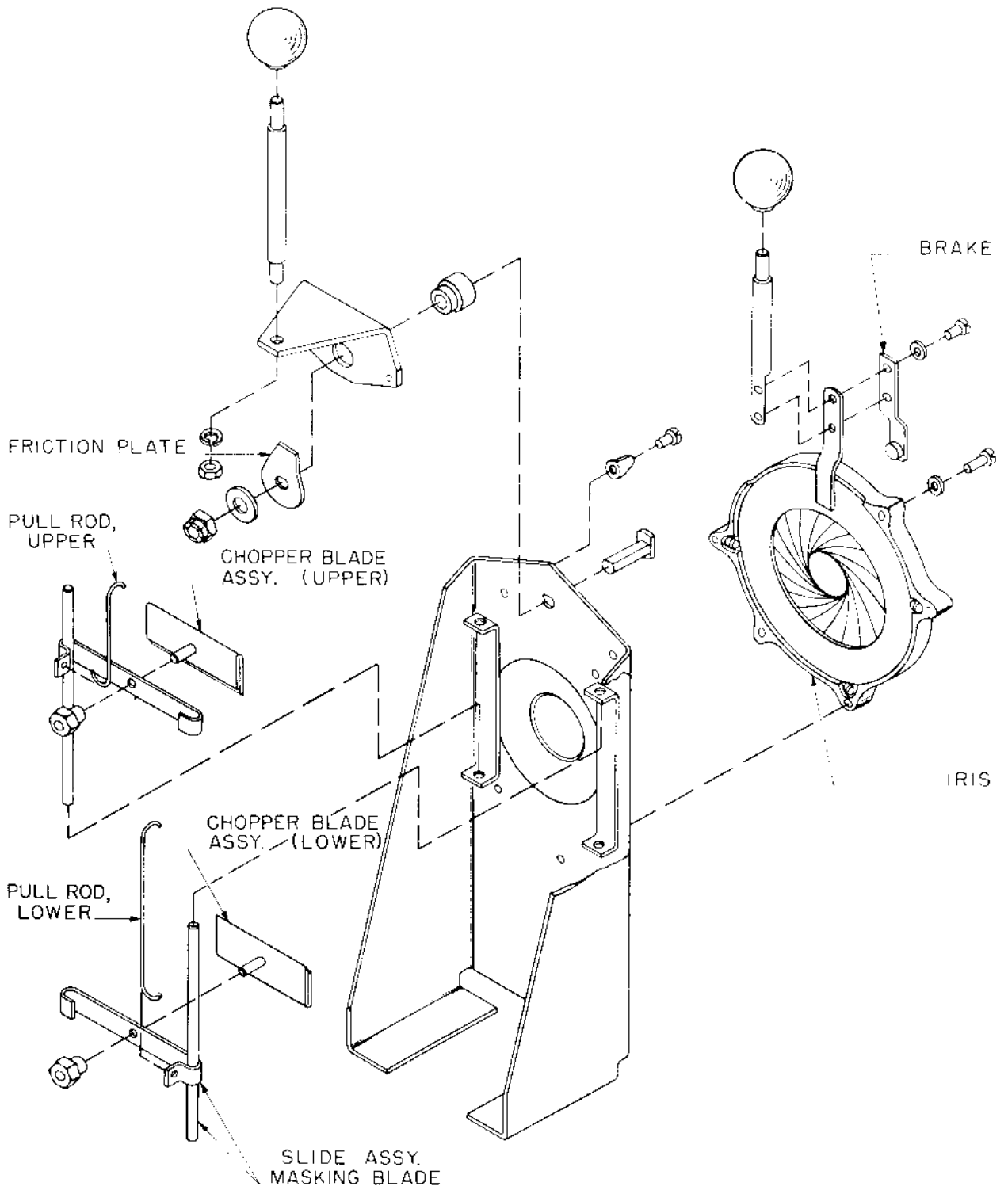
LIFT THE LAMP AND OPTICAL HOUSING up and off.

TO ADJUST THE ANGULARITY OF THE MASKING SHUTTER BLADES to compensate for the horizontal projection angle, loosen the knurled screw holding each of the masking shutter blades, angle the bottom blade so that it lies parallel with the footlights, and tighten the lower knurled screw in place.

OPERATE THE MASKING SHUTTER LEVER to close the shutter blades and cause the upper blade to line up in the proper position. Tighten the upper blade knurled retaining screw.

CHECK THE SETTING by lighting the bulb and projecting a narrow strip spot to the stage.

PLATE 1392



TO CLEAN THE LENS

TO CLEAN THE SMALL LENS, remove the cover plate casting, then use a good grade of alcohol and a piece of lens tissue (facial tissue can be used as a substitute), gently wipe both sides of the lens until a clean surface is obtained.

THE BACK SURFACE OF THE LARGE LENS can readily be cleaned by using the same access hole as above with the large lens carriage in the rear position.

TO CLEAN THE FRONT SURFACE OF THE LARGE LENS, slide the lens carriage to the full forward position. The front surface is not readily accessible through the front of the housing.

TO CLEAN THE TWO LENSES MOUNTED IN THE LAMP SECTION, remove the lamp and optical housing and the bulb. The lenses are readily accessible for cleaning. The fresnel lens (made of ribbed glass) is set for one position and must not be rotated. To check on its position, pass the fingers over the rear surface of the lens and make sure that the ribs are in a vertical position.

TO REPLACE AND ADJUST REFLECTOR

THE REFLECTOR has been factory adjusted for maximum light efficiency and should not need readjustment.

IF IT IS NECESSARY TO REPLACE A REFLECTOR, remove the lamp and optical system housing.

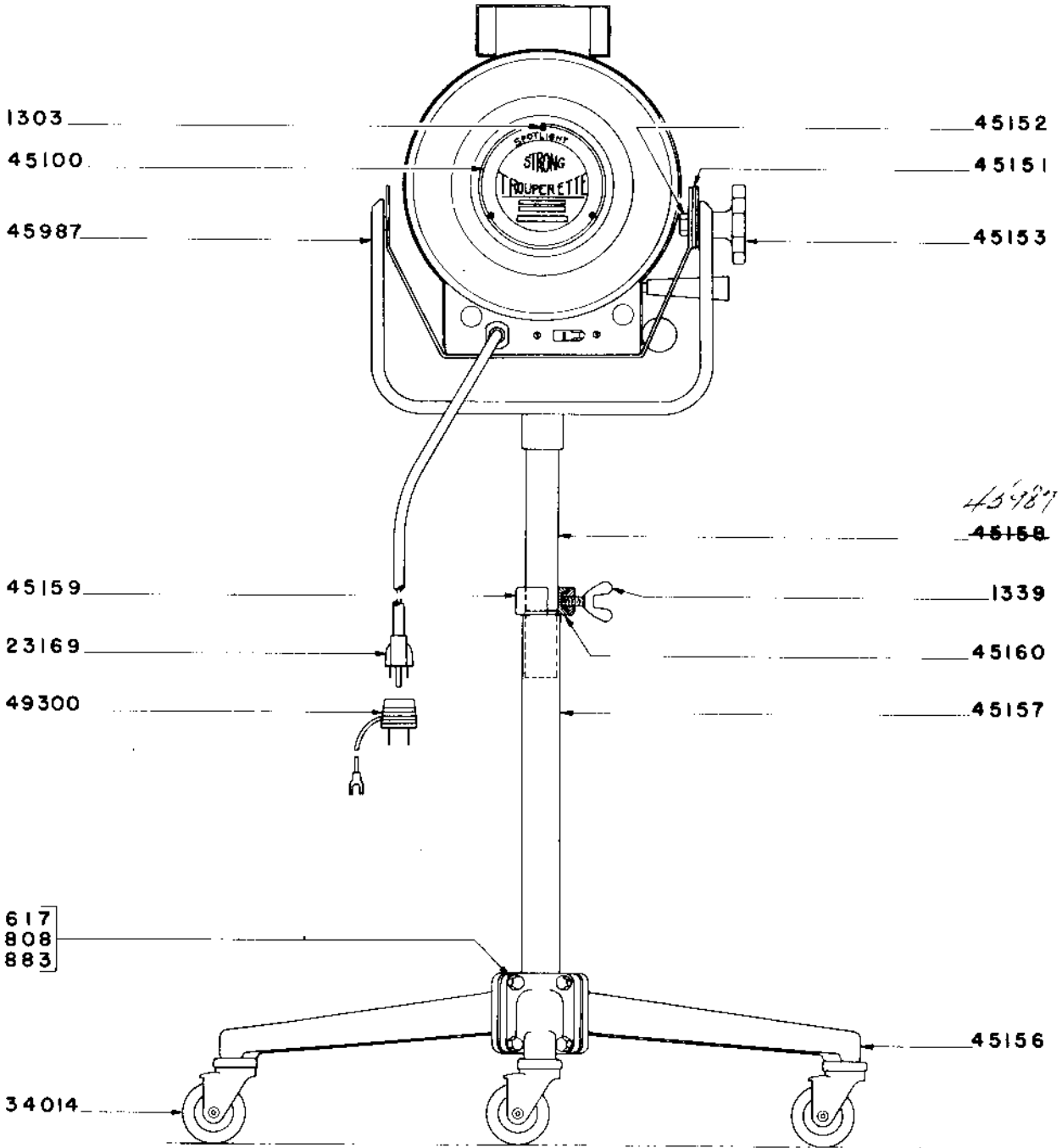
REMOVE THE OLD REFLECTOR and insert replacement in the reflector frame, making sure that it is firmly in place.

TO ADJUST THE REFLECTOR FOR MAXIMUM BRILLIANCY, loosen the 2 reflector frame mounting screws. Turn on the lamp, project a small spot, and bend the reflector frame up and down and sideways until the brightest spot is obtained.

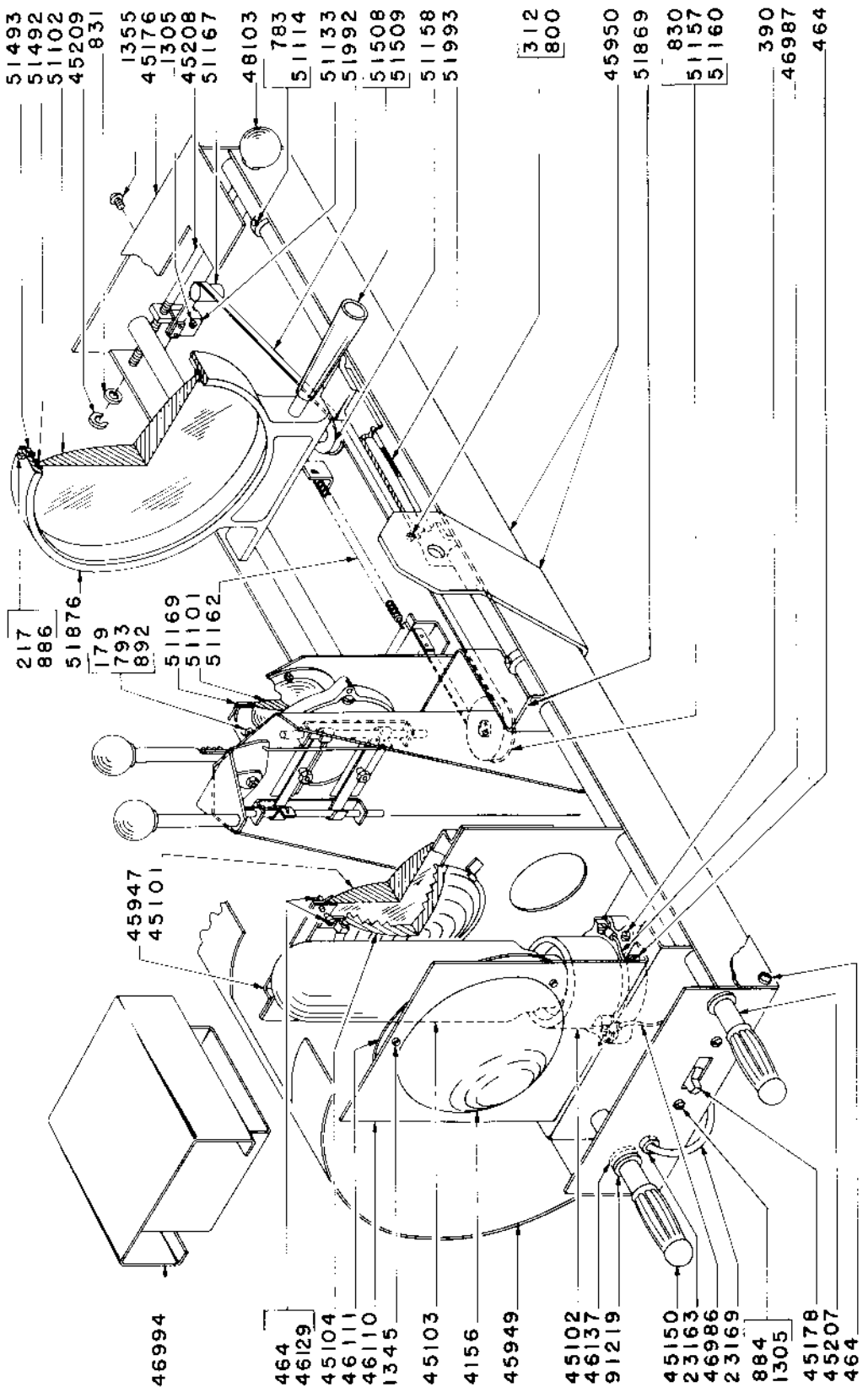
changed 9/26/45

*

PLATE 1742



45987
45158



51493
51492
51102
45209
831

1355
45176
1305
45208
51167

48103
783
51114
51133
51992

51508
51509
51158
51993

312
800

45950
51869

830
51157
51160

390
46987
464

217
886
51876

179
793
892

51169
51101
51162

45947
45101

46994

464
46129
45104

46111
46110
1345

45103

4156

45949

45102
46137
91219

45150
23163
46986
23169

884
1305

45178
45207
464

PLATE 1396

10048

51155

51153

51488

876

805

853

1406

51498

51968

51497

51969

51287

51872

254

2621 A

51226

51228

179

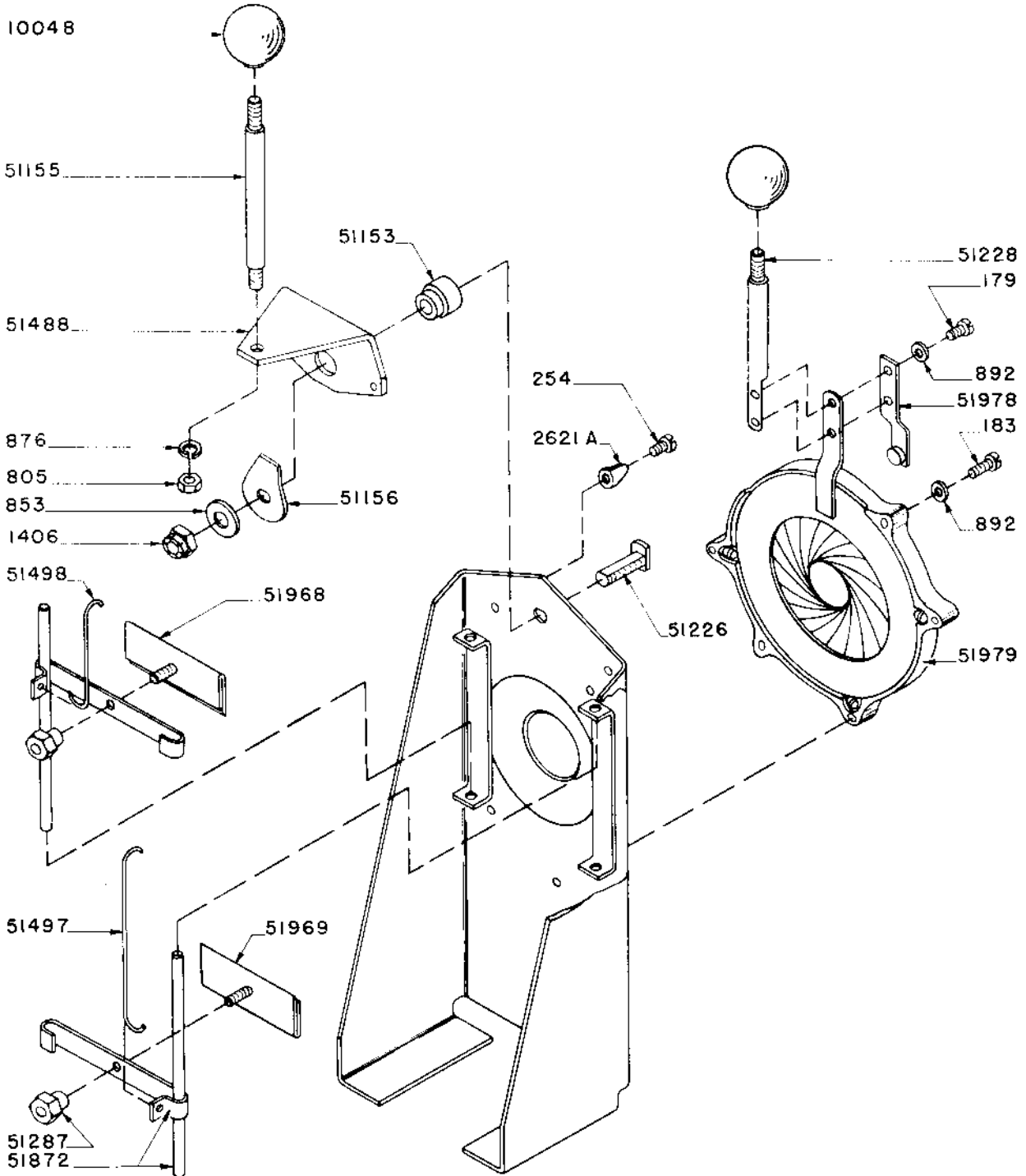
892

51978

183

892

51979



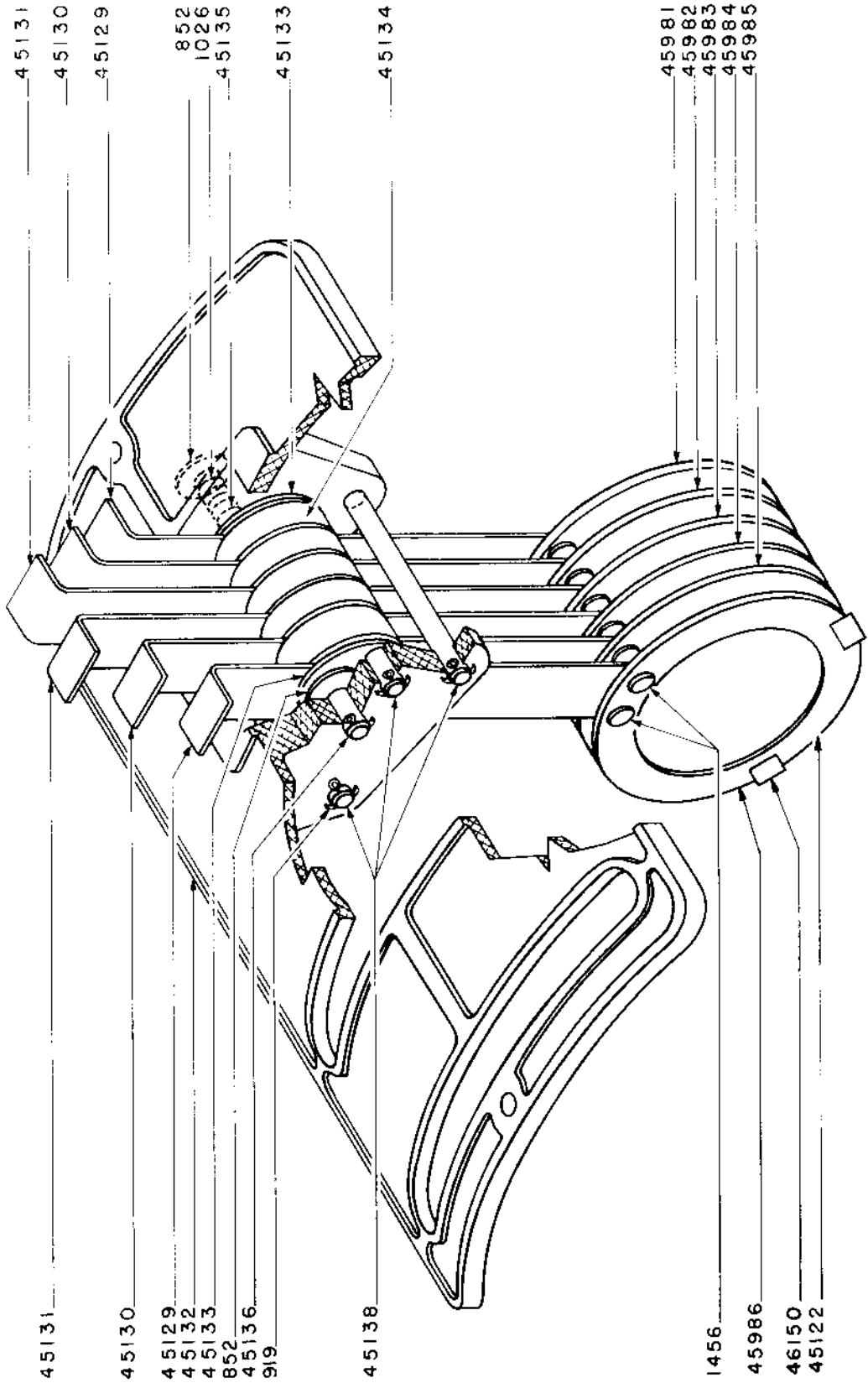


FIGURE NO. 6

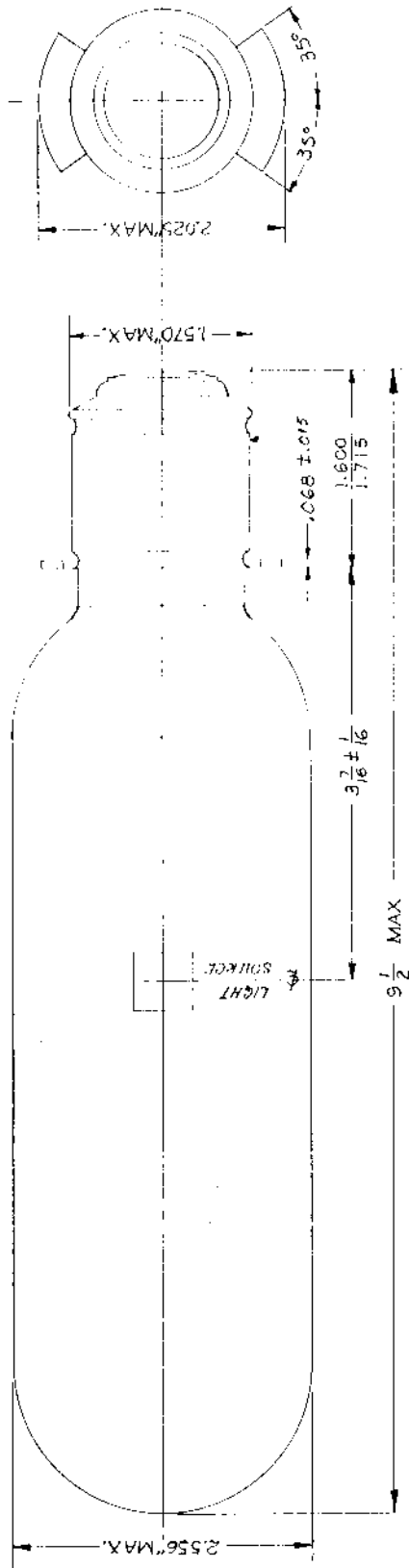
179 Screw #6-32 x 1/4" Fil. Hd.
 183 Screw #6-32 x 1/2" Fil. Hd.
 217 Screw #8-32 x 5/16" Rd. Hd.
 254 Screw #8-32 x 1/4" Fil. Hd.
 312 Screw #10-32 x 3/8" Rd. Hd.
 390 Screw #10-32 x 3/4" Fil. Hd.
 464 Screw-Binding Hd. 10-32 x 1/4"
 617 Screw 5/16-18 x 1-3/4" Hex Hd.
 783 Set Screw #10-32 x 1/4" Cup Pt.
 793 Nut #6-32 Hex
 800 Nut - Half, 10-32 Steel
 805 Nut 1/4-20 Hex
 808 Nut 5/16-18 Half Steel
 830 Washer-Brass, #8
 831 Washer-Brass, #10
 852 Washer 1/4" S. A. E. (Steel)
 853 Washer 5/16" S. A. E. (Steel)
 876 L'Washer, 3/16 Split Ring
 883 L'Washer - Split Ring #5/16
 884 L'Washer - Split Ring #6
 886 L'Washer - #8 Split Ring
 892 L'Washer - #6 Shakeproof, #1206 Internal
 919 Cotter Pin 1/16" x 1/2"
 1026 Spring, Pivot Shaft Tension
 1303 Screw #6 x 3/8" Sheet Metal, Type "A", Pan Hd.
 1305 Screw #6-32 x 1/4" Bind. Hd.
 1339 Thumb Screw 3/8-16 x 3/4"
 1345 Screw - Bind. Hd. 10-32 x 1/2"
 1355 Screw - Bind. Hd. 8-32 x 5/16"
 1406 Nut 5/16-18 "Flexlock"
 1456 Split Rivet
 2621-A Clip, Iris Handle Stop
 4156 Reflector (5-1/4" Dia. x 3-3/8" Focus - Spherical)
 10048 Knob, Masking & Iris
 23163 Strain Relief Bushing
 23169 Cord w/Plug
 34014 Casters
 45100 Name and Data Plate
 45101 Lens, Corrector
 45102 Lampholder, Mogul, Prefocused
 45103 Lamp, 1000 W. Mazda Prefocused Projection
 45104 Lens, Fresnel
 45122 Color Frame (Aluminum)
 45129 Handle, Short; Color Disc
 45130 Handle, Intermediate; Color Disc
 45131 Handle, Long; Color Disc
 45132 Cover Plate Casting
 45133 Spacer, Thin

45134 Spacer, Color Levers
 45135 Bushing, Pivot Shaft
 45136 Pivot Shaft
 45138 Retaining Shaft
 45150 Grip Handle
 45151 Friction Washer, Leather
 45152 Screw, Saddle Clamp
 45153 Knob, Vertical Tilt Locking
 45156 Leg, Stand
 45157 Tube, Outer
 45158 *45984* Tube, Inner
 45159 Collar, Height Adj. Clamp
 45160 Clamping Lug
 45176 Light Seal - Auxiliary
 45178 Switch - Power
 45207 Rod - Lens Carriage
 45208 Screw - Focus Adjusting
 45209 3/16" "E" Ring
 45947 Lens Carriage Assembly
 45949 Housing Assembly (welded)
 45950 Base Pan Assembly (welded)
 *45981 Color Disc Assembly (Special Steel Blue)
 *45982 Color Disc Assembly (Special Lavender)
 *45983 Color Disc Assembly (Light Magenta)
 *45984 Color Disc Assembly (Medium Pink)
 *45985 Color Disc Assembly (Flesh Pink)
 *45986 Color Disc Assembly (Bastard Amber)
 *Color Discs are sold in sets of six. Any selection
 of the six colors will constitute one set.
 45987 Yoke Assembly, Lamp
 46110 Bracket-Reflector Mounting
 46111 Ring - Reflector Retaining
 46129 Clip - Holed
 46137 5/8 Bowed "E" Ring
 46150 Clip - Color Frame
 46986 Wire Lead - Power Cord to Socket
 46987 Wire Lead - Socket to Switch
 46994 Exhaust Stack Assembly
 48103 Knob
 49300 Adapter (115 volt)
 51101 Lens, Small
 51102 Lens, Large
 51114 Stop Collar
 51133 Adjusting Block, Lens Focus
 51153 Spacer Bushing, Masking Blades
 51155 Lever, Masking Blade
 51156 Friction Plate, Masking Blades
 51157 Pulley, Large

51158	Pulley, Small
51160	Stud, Small Pulley
51162	Tension Spring, Lens Ribbon
51167	Stud, Lens Positioning Ribbon
51169	Retaining Ring, Small Lens
51226	Stud, Masking Blade Bracket
51228	Extension Shaft, Iris Handle
51287	Retaining Nut, Masking Blade
51488	Bracket - Masking Blade Handle
51492	Rubber Edge Mounting
51493	Ring - Large Lens Carriage
51497	Masking Blade Pull Rod (lower)
51498	Masking Blade Pull Rod (upper)
51508	Shaft - Handle
51509	Handle
51869	Small Lens Carriage and Bracket Assy.
51872	Slide Assem. - Masking Blade
51876	Large Lens Carriage Assy.
51968	Masking Blade - Upper)
51969	Masking Blade - Lower)
51978	Friction Spring and Pad, Iris
51979	Iris Assembly
51992	Lens Positioning Ribbon Assembly
51993	Brake Tension Spring Assembly, Large Lens Carriage
91219	5/8 "E" Ring

Parts Not Shown on Illustration

23059-A	Strong Insignia
45959	Color Disc Kit (6 colors)
45960	U. V. Lens Holder
45963	Overhead Hanger Assy.
45966	Stand Assembly, Complete
45991	Boomerang and Cover Plate Assembly
51856	Lens Carriage & Brake Assembly (less lens)



PROCESSED FROM:-
GENERAL ELECTRIC COMPANY
THEIR PART NO. - 165-22-67P
TYPE - TROP

NOTE:-
BULB CENTERED ON BASE AXIS WITH A 1/16
1000 WATTS
115 VOLTS
50 AV. LIFE HRS.
MOUL PRE FOCUS BASE

1-PER UNIT
 SUB-ASSEMBLY
 REORDER NO. 3116
 45103

TYPE DPW-1M/T20P G.E.#29964