

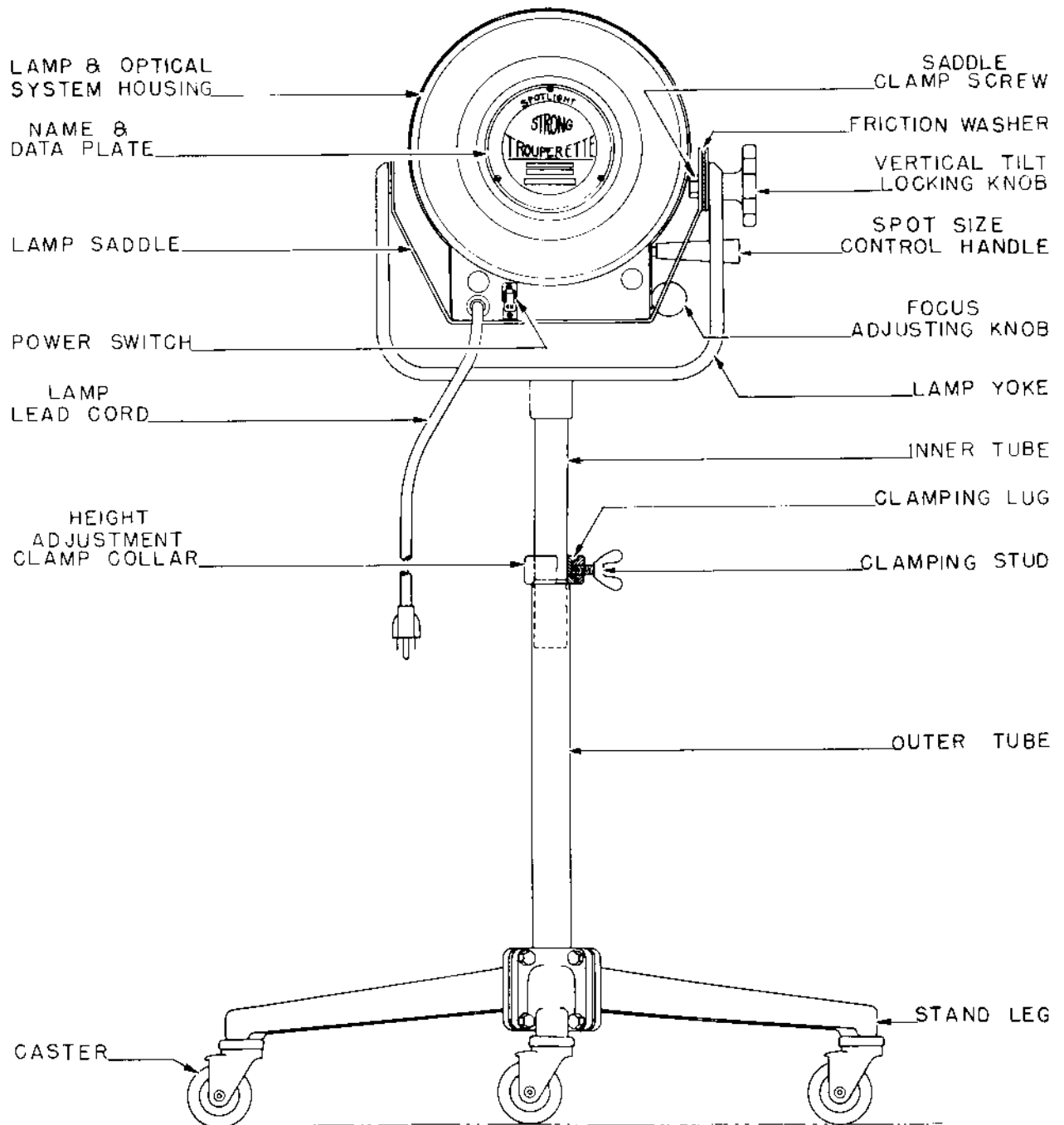
Instructions

**FOR
EQUIPMENT
Type**

TROUPERETTE III
45003-1
4 - 75

STRONG ELECTRIC
87 CITY PARK AVE., TOLEDO, OHIO

FIGURE NO 1



SETTING UP SPOTLIGHT

FASTEN THE THREE STAND LEGS (Fig. 1) to the end of the outer tube with the six cap screws, lockwashers and nuts furnished in the small cardboard box.

INSERT THE CASTERS in the hole provided in each leg only if the spotlight is to be portable. If the spotlight is to remain in a fixed location the casters need not be inserted, and if desired lag bolts can be used to secure the base to the floor.

MOUNT THE SPOTLIGHT on the yoke by clamping the height adjustment collar, then lowering the lamp saddle into the slots provided. Be sure the leather disc friction washer is between the metal friction surfaces of the saddle and yoke.

CLAMP THE LAMPHOUSE in a horizontal position by tightening the vertical tilt locking knob located on the saddle.

TO ADJUST THE HEIGHT OF THE SPOTLIGHT loosen the height adjustment clamp and raise or lower as desired. The height range from floor to optical center is 43" to 60".

A 1000 WATT, 120 Volt, Type FEL projection bulb is required for Trouperette III. This bulb has a rated life of 250 hours operation and it is advisable to have a spare bulb available.

TO INSTALL THE BULB, remove the rear plate by turning the three captive screws about 1/4 turn to the left. Swing the bulb socket bracket back to the rear. Grasp the bulb by the metal base and insert into the reflector hole part way. Bring the bulb socket bracket up to the bulb base and push the bulb into the socket, firmly centering it in the socket. Caution: Avoid touching the bulb envelope (Quartz glass) with your fingers. Fingerprints will etch the envelope and possibly decrease the expected life of the bulb. Use a cloth or some soft material, if it is necessary to grasp the bulb by the envelope. If contact is made with the envelope, wipe it immediately with a soft cloth. Return the bulb socket bracket into the operating position, snapping into place under the spring latch. Replace the rear cover plate.

NOTE: If a light spot appears to one side during operation, move the bulb in the socket to the right or left to center the light.

WHEN MOVING THE SPOTLIGHT from one location to another, it is advisable to remove and pack the bulb separately as the filament is very susceptible to breakage from jars and shocks.

OPTICAL OPERATION

THE SPOT SIZE CONTROL HANDLE is located on the right side of the spotlight housing just above the base pan. A variation of spot sizes in a ratio of 5 to 1 can be obtained with the movement of the spot size control from one extreme to the other.

THE APERTURE SELECTOR is the front handle projecting through the top of the lamphouse cover plate assembly. When this handle is to the left, looking at the spotlamp from the rear, the largest aperture is obtained. Smaller apertures are obtained as the handle is moved to the right.

THE SPOT FOCUSING CONTROL is located on the side of the optical system base pan, toward the front, and is used to adjust the optical system for the length of throw. When making an adjustment the aperture selector handle (iris control) should be to the right and the spot size control handle moved forward to the extreme front position; then rotate the spot focusing control until the sharpest white light is obtained on the projected spot. This will give a nominal focus and optimum performance for small spot and flood spot.

THE MAXIMUM FLOOD SPOT is obtained with the aperture selector handle to the left for the large aperture and with the spot size control handle moved as far as possible toward the rear. (NOTE: A slight adjustment of the spot focusing control can be done if desired when projecting a flood spot.)

SMALLER SIZED SPOTS are projected as the spot size control handle is moved forward. Most of the spot sizes needed will be produced with the large aperture.

FOR A "HEAD SPOT" or any spot smaller than can be obtained with the spot size control handle in its extreme forward position, shift the aperture selector handle to the right for a smaller aperture. The aperture selector handle should always be returned to its extreme left position before the spot size control handle is again moved to obtain larger spots.

THE MASKING SHUTTER LEVER and dowser is the rear lever projecting through the top of the lamphouse cover plate assembly. The masking shutter blades are operated by this lever to shape the projected spot to a rectangular, strip spot, or douse the spot for blackout.

THE MASKING SHUTTER BLADES are open when the masking shutter lever is to the extreme right. Varying degrees of masking to complete cutoff are obtained by moving the lever to the left.

OPERATION OF COLOR BOOMERANG

THE COLOR BOOMERANG (Fig. 6) is equipped with 6 color filter discs containing the following colors in order from rear to front: (1) Amber, (2) Flesh Pink, (3) Medium Pink, (4) Light Magenta, (5) Special Lavender and (6) Special Steel Blue.

THE SIX COLOR DISC LEVERS are mounted in the cover plate casting directly in front of the aperture selector lever.

TO INSERT A COLOR DISC in the light beam move the proper color disc lever to the left as far as possible.

TO RELEASE A COLOR DISC move the lever to the extreme right. Be sure that the lever is always fully returned to the limit of its movement.

TO REMOVE A COLOR DISC ASSEMBLY remove the knobs on the aperture selector and masking shutter levers. Remove the two end screws from the cover plate casting and lift off, together with the boomerang. The two split rivets holding the color disc assembly can now be removed and a new color disc assembly installed. Only the six above mentioned color discs are supplied with the boomerang.

ONE AUXILIARY COLOR FRAME is provided for use when any special colors are desired. A gelatine filter cut to 9-1/4 x 9-1/2" will fit into the frame. Extra Strong Troupette color frames can be obtained from your supply dealer.

TO INSERT THE AUXILIARY COLOR FRAME slip it into the spring filter holder clip at the extreme front of the lamphouse below the light exit opening.

HANDLING THE SPOTLIGHT

GENERALLY THE BEST POSITION FOR OPERATION is to stand at the center of the spotlight on the right hand side, although angle of tilt and the size of porthole may alter the position for most convenient and effortless operation.

ONE HAND SHOULD BE KEPT ON THE SPOT SIZE CONTROL handle as the spot can thus be both directed and changed in size instantly.

THE OTHER HAND generally is used for operating the aperture selector handle, masking shutter lever, boomerang and steadying the spotlight.

THE VERTICAL TILT LOCKING KNOB located on the lamp saddle assembly can be set to give the required amount of friction on the spotlight swing to suit the individual operator.

ANGULAR ADJUSTMENT OF MASKING SHUTTER BLADE

AN UNBALANCED CONDITION will occur when the housing is removed, therefore the vertical tilt locking knob should be tight.

POSITION THE LARGE LENS by sliding the spot size control handle to the extreme forward position.

REMOVE THE KNOBS from both the masking shutter and the aperture selector levers. Remove the spot size control handle.

REMOVE ALL SCREWS securing the housing to the pan and lift the lamp and optical housing off.

ADJUST THE ANGULARITY OF THE MASKING SHUTTER BLADES (Fig. 5, Items 10 and 14) to compensate for the horizontal projection angle. Loosen the nuts holding each of the masking shutter blades, angle the bottom blade so that it lies parallel with the footlights, and tighten the lower nut in place.

OPERATE THE MASKING SHUTTER LEVER to close the shutter blades and cause the upper blade to line up in the proper position. Tighten the upper blade locking nut.

CHECK THE SETTING by lighting the bulb and projecting a narrow strip spot to the stage.

REPLACEMENT AND ADJUSTMENT OF REFLECTOR

THE REFLECTOR has been factory adjusted for maximum light efficiency and should not need adjustment.

IF IT IS NECESSARY to replace a reflector, remove the lamp and optical system housing being careful not to catch the socket casting at the rear of the lamp.

ADJUST THE REFLECTOR for maximum brilliancy, after replacement, by first projecting a spot with the large lens control moved forward to the sharpest spot possible. If any dark area appears at the top or bottom of the spot loosen the four screws holding the reflector plate to the aperture bracket and move the reflector up or down to obtain even illumination around the edge of the spot. Caution: Use care when working around the bulb as the bulb and reflector will be hot. Tighten the four plate retaining screws securely. Make sure bulb is centered in socket.

FINE ADJUSTMENT is provided for the bulb by adjusting the socket bracket. Using a 5/32 allen hex wrench, loosen the two screws and move the socket bracket forward or back to move the bulb within the reflector. After the best spot is obtained, tighten the two screws to lock bracket in position.

MAINTENANCE

TO CLEAN THE SMALL LENS, remove the Color Filter Assembly (Fig. 6) and using a good grade of alcohol and a piece of lens tissue (facial tissue can be used as a substitute), gently wipe both sides of the lens until the surface is clean.

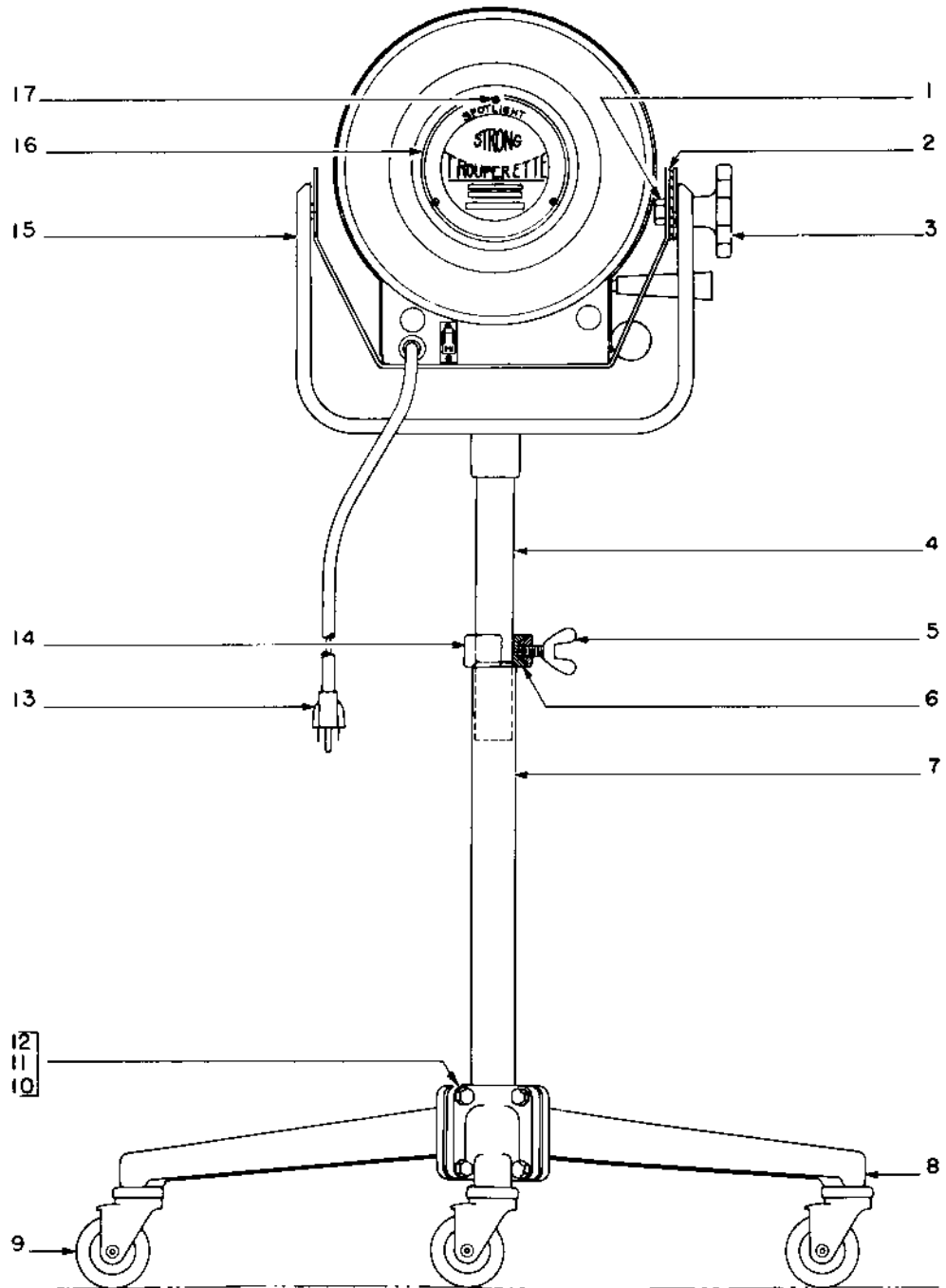
THE BACK SURFACE OF THE LARGE LENS can readily be cleaned by using the same access hole as above with the large lens carriage in the rear position.

TO CLEAN THE FRONT SURFACE OF THE LARGE LENS, slide the lens carriage to the full forward position. The front surface is now readily accessible through the front of the housing.

REMOVE THE COOLING FAN (Fig. 3, Item 33) from the housing by removing the four mounting screws and washers, Items 35 and 36 which secure the fan assembly to the bottom of the housing.

OIL THE COOLING FAN with two or three drops of light lubricating oil (remove plug in oil hole) every four to six months. The frequency depends on the amount of use the lamp receives. Replace fan - do not attempt to operate lamp without the fan.

FIGURE NO. 2.



PARTS SHOWN ON ILLUSTRATION

Figure	Item	Part No.	Title
2	1	45152	Screw, Saddle Clamp
	2	45151	Friction Washer, Leather
	3	45153	Knob, Vertical Tilt Locking
	4	45158	Tube, Inner
	5	1339	Thumb Screw 3/8-18 x 3/4"
	6	45160	Clamping Lug
	7	45157	Tube, Outer
	8	45156	Leg, Stand
	9	34014	Casters
	10	883	L'Washer - Split Ring, 5/16" (Stainless)
	11	808	Nut, 5/16-18, Half (Steel)
	12	617	Screw, 5/16-18 x 1-3/4" Hex Hd.
	13	45242	Cord W/Plug
	14	45159	Collar, Height Adj. Clamp
	15	45987	Yoke Assembly, Lamp
	16	45100	Name & Data Plate
	17	1303	Screw #6 x 3/8" Sheet Metal Type "A" Pan Hd.
3	1	51493	Ring - Large Lens Carriage
	2	217	Screw #8-32 x 5/16" Rd. Hd.
	3	886	L'Washer - #8 Split Ring
	4	51492	Rubber Edge Mounting
	5	45209	3/16" "E" Ring
	6	831	Washer - Brass, #10
	7	51133	Lens Focus Adjusting Block
	8	51114	Stop Collar - Slide Rod
	9	783	Set Screw, #10-32 x 1/4" Cup Pt.
	10	48103	Knob
	11	45208	Screw - Focus Adjusting
	12	1305	Screw #6-32 x 1/4" Bind. Hd.
	13	892	L'Washer - #6 Shakeproof, #1206 Internal
	14	45224	Stud - Lens Focus - Adjusting
	15	541	Screw, 1/4-20 x 1/2" Oval Bind. Hd. Mach.
	16	51992	Lens Positioning Ribbon Assembly
	17	51508	Shaft - Handle
	18	51509	Handle
	19	51158	Pulley, Small
	20	51160	Pulley Stud (Small)
	21	51993	Brake Tension Spring Assembly, Large

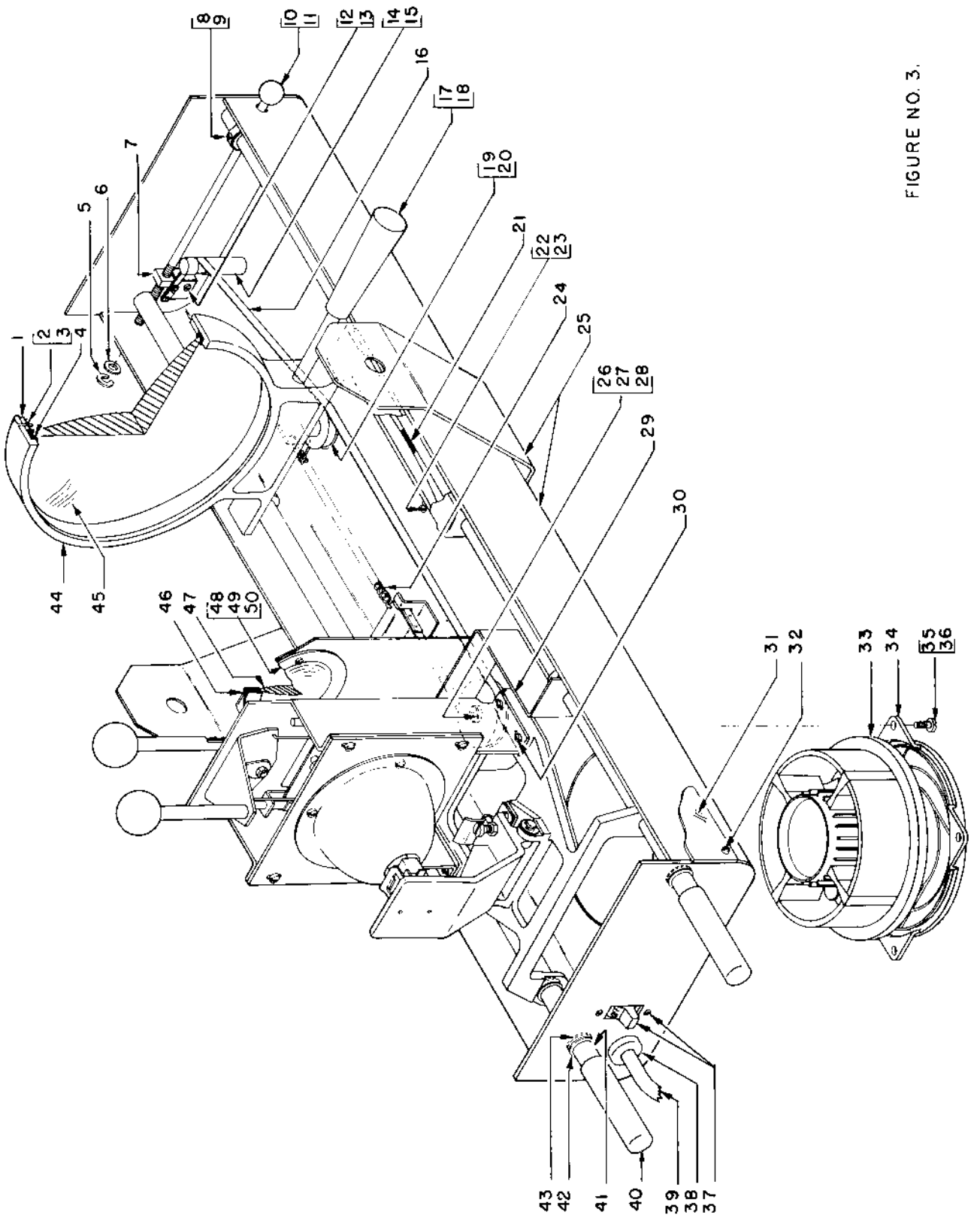


FIGURE NO. 3.

Figure	Item	Part No.	Title
3 (cont'd)	22	312	Screw #10-32 x 3/8" Rd. Hd.
	23	800	Nut-Half, 10-32 Steel
	24	51162	Tension Spring, Lens Ribbon
	25	45945	Base Pan Weldment
	26	830	Washer - Brass, #8
	27	51157	Pulley, Large
	28	51160	Pulley Stud (Small)
	29	45930	Small Lens Carriage - Welded Assy.
	30	1423	Screw, 10-32 x 5/16" Bd. Hd. (Steel)
	31	45942	Housing Assy. -Welded
	32	464	Screw - Binding Hd. 10-32 x 1/4"
	33	4522746259	Fan - 100 CFM. (115V, 60 CPS, 15 Watt)
	34	83131	Grille Mounting - Fan
	35	191	Screw #6-32 x 1-3/4" Fil. Hd.
	36	892	L'Washer - #6 Shakeproof #1206 Internal
	37	45178	Switch - Power
	38	23163	Strain Relief Bushing
	39	45242	Lead Cord W/Molded Plug (25 feet)
	40	45150-A	Grip Handle (Vinyl Plastic)
	41	45233	Rod, Slide - Lens Carriage
	42	91219	5/8" "E" Ring
	43	46137	5/8" Bowed "E" Ring
	44	51876	Large Lens Carriage Assy.
	45	51102	Lens - Large
	46	45254	Retaining Ring, Small Lens
	47	45252	Lens, Small
	48	179	Screw #6-32 x 1/4" Fil. Hd.
	49	793	Nut #6-32 Hex
	50	892	L'Washer - #6 Shakeproof, #1206 Internal
	4	1	45250
2		45245	Reflector (Diffused)
3		892	L'Washer #6 Shakeproof, #1206 Internal
4		1305	Screw, 6-32 x 1/4" Bd. Hd.
5		263	Screw, 8-32 x 1-1/8"
6		795	Nut, 8-32 (Steel)
7		1306	Screw, 6-32 x 5/16" Bd. Hd.
8		45232	Spring Latch, Lamp Bulb Mtg.
9		45215	Support Casting
10		45229	Pivot Shaft - Bulb Mtg. Casting
11		75505	"E" Ring, Pivot Shaft
12		1534	Cap Screw, #10-32 x 5/8 Lg. (Stn. Soc. Hd.)
		866	Washer #10 Steel (SAE)
	1344	Lockwasher #10 Internal Shakeproof (1210)	
13	45248	Bulb Mount Casting	

FIGURE NO. 4

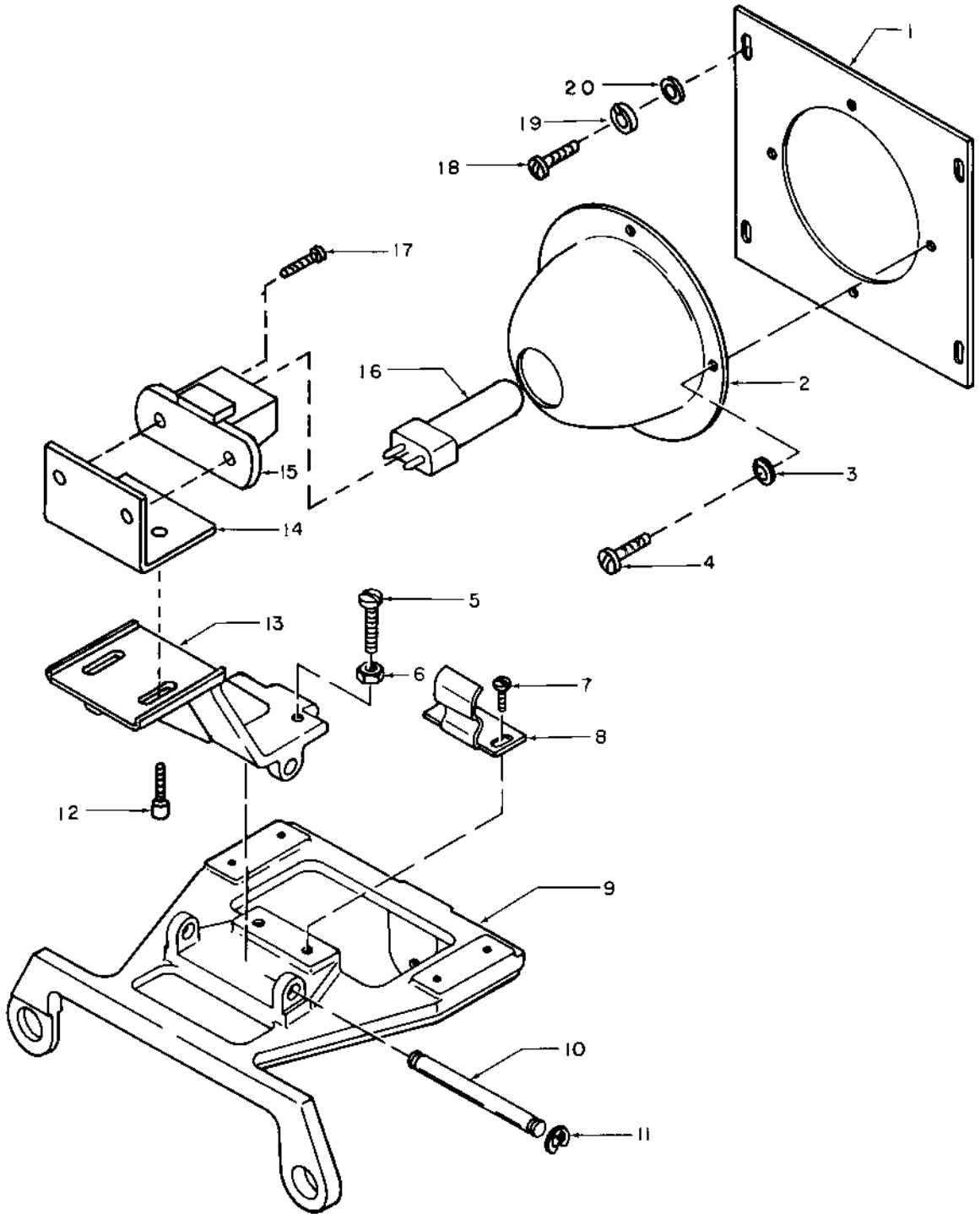


FIGURE NO. 5.

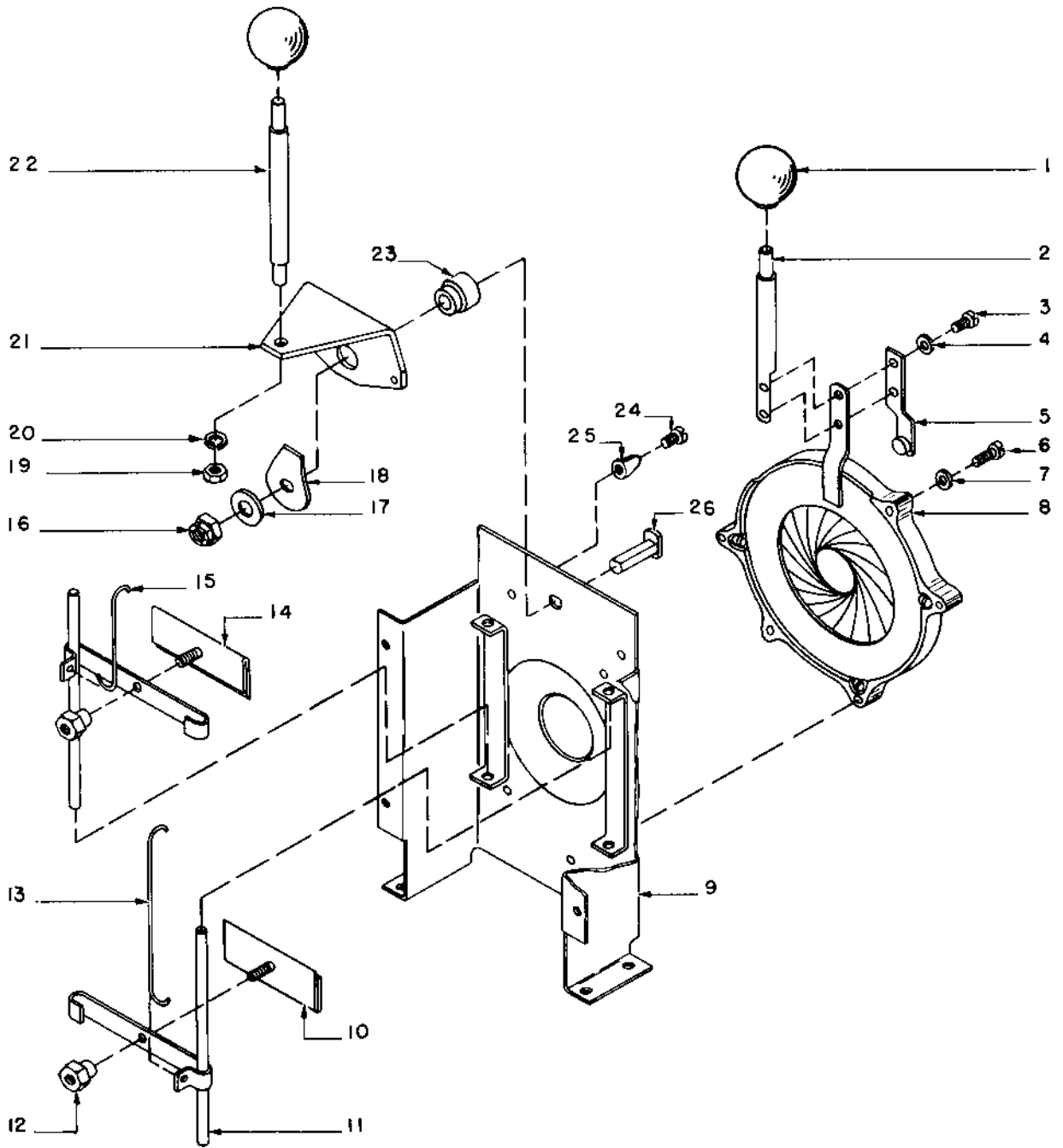


Figure	Item	Part No.	Title
4 (cont'd)	14	45249	Mounting Bracket, Socket
	15	45247	Socket
	16	45246	Tungsten-Halogen Lamp (1000 watts, 120 volts)
	17	1311	Screw, 8-32 x 3/8" Bd. Hd.
	18	1311	Screw, 8-32 x 3/8" Bd. Hd.
	19	886	Lockwasher, #8 Split Ring
	20	829	Washer, Brass, #8 3/8 O.D. x .172 ID x .032 Th.
5	1	10048	Knob, Masking & Iris
	2	51228	Extension Shaft, Iris Handle
	3	179	Screw #6-32 x 1/4" Fil. Hd.
	4	892	L'Washer - #6 Shakeproof, #1206 Internal
	5	51978	Friction Spring and Pad, Iris
	6	183	Screw #6-32 x 1/2" Fil. Hd.
	7	892	L'Washer - #6 Shakeproof, #1206 Internal
	8	51979	Iris Assembly
	9	45932	Aperture Support Assy.
	10	51969	Masking Blade - (Lower)
	11	51872	Slide Assem. - Masking Blade
	12	51287	Retaining Nut, Masking Blade
	13	51497	Masking Blade Pull Rod (Lower)
	14	51968	Masking Blade (Upper)
	15	51498	Masking Blade Pull Rod (Upper)
	16	1406	Nut 5/16-18" Flexlock
	17	853	Washer 5/16" S. A. E. (Steel)
	18	51156	Friction Plate, Masking Blades
	19	805	Nut 1/4-20 Hex
	20	876	L'Washer, 1/4" Split Ring
	21	51488	Bracket, Masking Blade Handle
	22	51155	Lever, Masking Blade
	23	51153	Spacer Bushing, Masking Blades
	24	254	Screw #8-32 x 1/4" Fil. Hd.
	25	2621-A	Clip - Iris Handle Stop
	26	51226	Stud, Masking Blade Bracket
6	1	45131	Handle, Long; Color Disc
	2	45130	Handle, Intermediate; Color Disc
	3	45129	Handle, Short; Color Disc
	4	852	Washer, 1/4" SAE Std. (Steel)
	5	1026	Spring
	6	45135	Bushing, Boomerang Pivot Shaft
	7	45133	Spacer, Thin; Boomerang
	8	45134	Spacer, Color Handle Lever
	9	45981	Color Disc Assembly (Special Steel Blue)

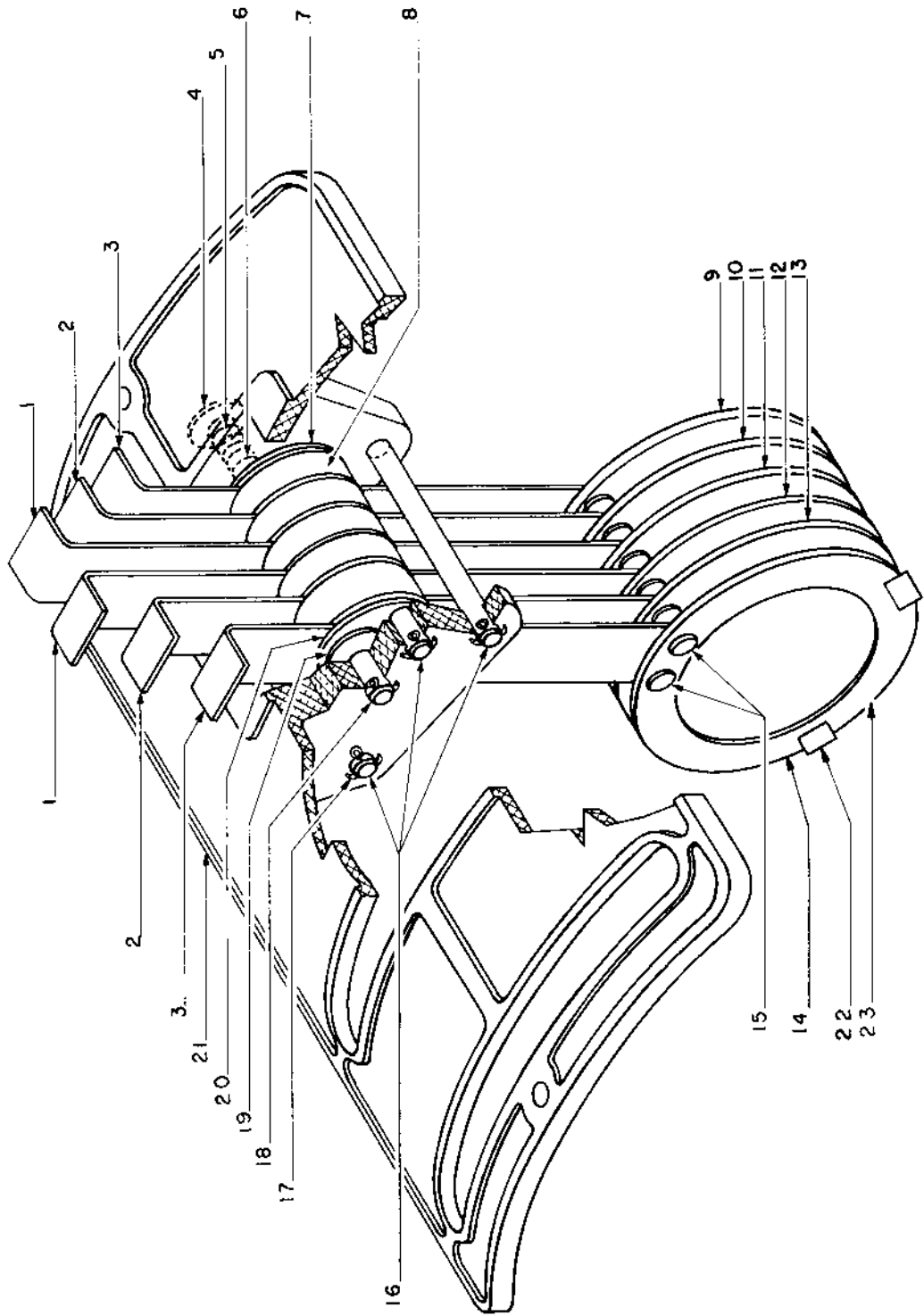


FIGURE NO. 6

Figure	Item	Part No.	Title
6	10	45982	Color Disc Assembly (Special Lavender)
	11	45983	Color Disc Assembly (Light Magenta)
	12	45984	Color Disc Assembly (Med. Pink)
	13	45985	Color Disc Assembly (Flesh Pink)
	14	45986	Color Disc Assembly (Bastard Amber)
	-	45959	*Color Discs are sold in sets of six. Any selection of the six colors will constitute (1) set.
	15	1456	Paper Fastener, #2 Rd. Hd. x 1/2" (Brass)
	16	45138	Retaining Shaft
	17	919	Cotter Pin 1/16 x 1/2"
	18	45136	Pivot Shaft
	19	852	Washer, 1/4" SAE Std. Steel
	20	45133	Spacer, Thin; Boomerang
	21	45132	Cover Plate Casting
	22	46150	Clip
	23	45122	Color Frame