

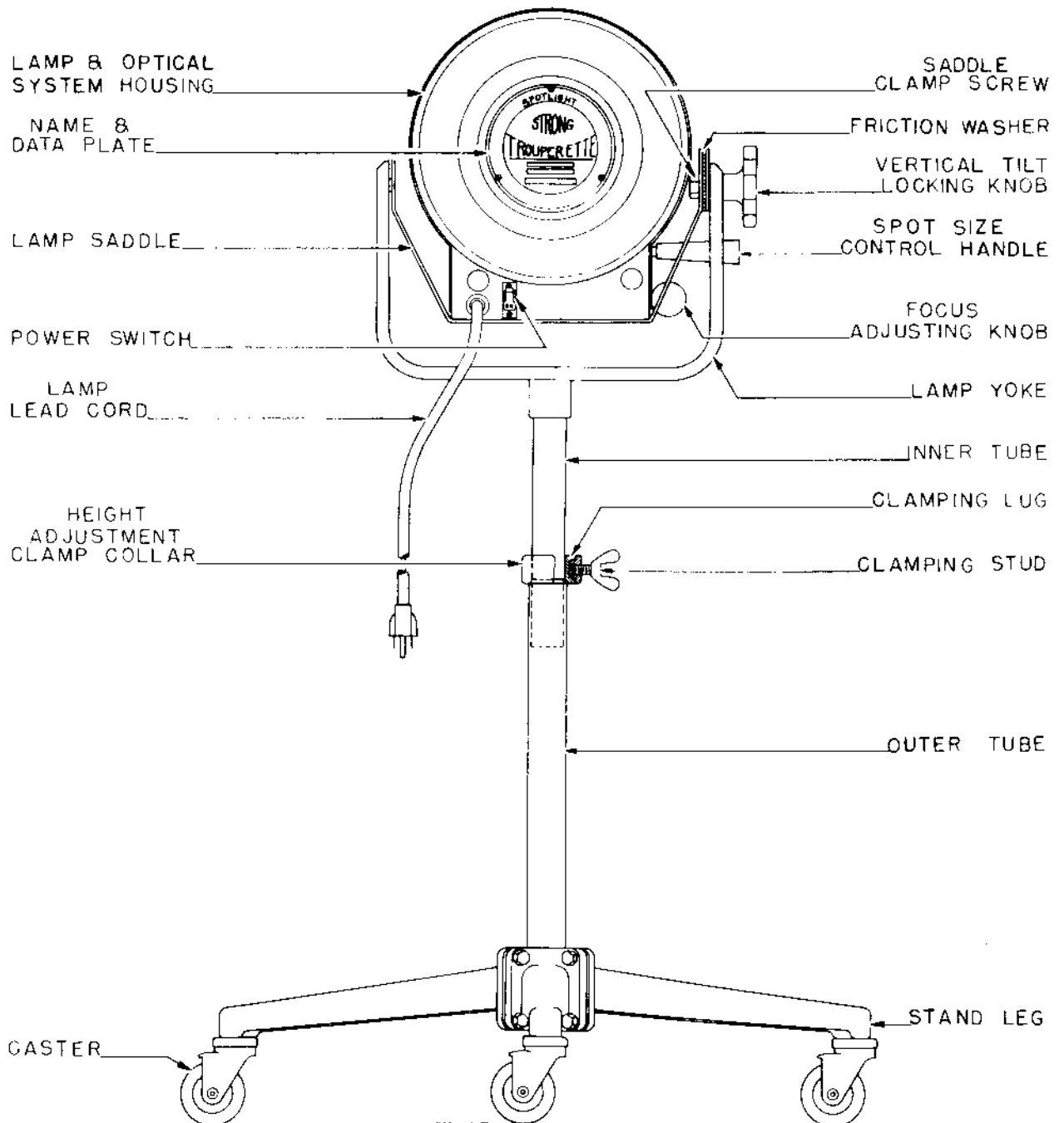
Instructions

**FOR
EQUIPMENT
Type**

TROUPERETTE III
45003-3
6-77

STRONG ELECTRIC
87 CITY PARK AVE., TOLEDO, OHIO

FIGURE NO. 1



SETTING UP SPOTLIGHT

FASTEN THE THREE STAND LEGS (Fig. 1) to the end of the outer tube with the six cap screws, lockwashers and nuts furnished in the small cardboard box.

INSERT THE CASTERS in the hole provided in each leg only if the spotlight is to be portable. If the spotlight is to remain in a fixed location the casters should not be inserted, and the base should be secured to the floor.

MOUNT THE SPOTLIGHT on the yoke by clamping the height adjustment collar, then lowering the lamp saddle into the slots provided. Be sure the leather disc friction washer is between the metal friction surfaces of the saddle and yoke.

CLAMP THE LAMPHOUSE in a horizontal position by tightening the vertical tilt locking knob located on the saddle.

TO ADJUST THE HEIGHT OF THE SPOTLIGHT loosen the height adjustment clamp and raise or lower as desired. The height range from floor to optical center is 43" to 60".

A 1000 WATT, 120 Volt, Type FEL projection bulb is required for Trouperette III. This bulb has a rated life of 250 hours operation and it is advisable to have a spare bulb available.

TO INSTALL THE BULB, remove the rear plate by turning the three captive screws about 1/4 turn to the left. Loosen the two thumbscrews, item 11, figure 4, just enough to slide the support bracket, item 13, with the assembled lamp socket, item 14, back through the rear of the lamphouse. Do not change the position of the stop plate, item 5. Grasp the bulb by the base and push the bulb into the socket, firmly centering it in the socket. CAUTION: Avoid touching the bulb envelope with your fingers. Fingerprints will etch the envelope and possibly decrease the expected life of the bulb. If contact is made with the quartz envelope, clean it immediately with a soft cloth.

SLIDE THE ASSEMBLED BRACKET and bulb back onto the support item 12, up to the stop plate, item 5. Tighten the two thumb screws, item 11, to secure the bulb and bracket in position, then replace the rear cover plate. See the following instructions for adjusting the position of the bulb, if the projected spot is not satisfactory.

WHEN MOVING THE SPOTLIGHT from one location to another, it is advisable to remove and pack the bulb separately as the filament is very susceptible to breakage from jars and shocks.

OPTICAL OPERATION

THE SPOT SIZE CONTROL HANDLE is located on the right side of the spotlight housing just above the base pan. A variation of spot sizes in a ratio of 5 to 1 can be obtained with the movement of the spot size control from one extreme to the other.

THE APERTURE SELECTOR is the front handle projecting through the top of the lamphouse cover plate assembly. When this handle is to the left, looking at the spotlamp from the rear, the largest aperture is obtained. Smaller apertures are obtained as the handle is moved to the right.

THE SPOT FOCUSING CONTROL is located on the side of the optical system base pan, toward the front, and is used to adjust the optical system for the length of throw. When making an adjustment the aperture selector handle (iris control) should be to the right and the spot size control handle moved forward to the extreme front position; then rotate the spot focusing control until the sharpest white light is obtained on the projected spot. This will give a nominal focus and optimum performance for small spot and flood spot.

THE MAXIMUM FLOOD SPOT is obtained with the aperture selector handle to the left for the large aperture and with the spot size control handle moved as far as possible toward the rear. (NOTE: A slight adjustment of the spot focusing control can be done if desired when projecting a flood spot.)

SMALLER SIZED SPOTS are projected as the spot size control handle is moved forward. Most of the spot sizes needed will be produced with the large aperture.

FOR A "HEAD SPOT" or any spot smaller than can be obtained with the spot size control handle in its extreme forward position, shift the aperture selector handle to the right for a smaller aperture. The aperture selector handle should always be returned to its extreme left position before the spot size control handle is again moved to obtain larger spots.

THE MASKING SHUTTER LEVER and douser is the rear lever projecting through the top of the lamphouse cover plate assembly. The masking shutter blades are operated by this lever to shape the projected spot to a rectangular, strip spot, or douse the spot for blackout.

THE MASKING SHUTTER BLADES are open when the masking shutter lever is to the extreme right. Varying degrees of masking to complete cutoff are obtained by moving the lever to the left.

OPERATION OF COLOR BOOMERANG

THE COLOR BOOMERANG (Fig. 6) is equipped with 6 color filter discs containing the following colors in order from rear to front: (1) Amber, (2) Flesh Pink, (3) Medium Pink, (4) Light Magenta, (5) Special Lavender and (6) Special Steel Blue.

THE SIX COLOR DISC LEVERS are mounted in the cover plate casting directly in front of the aperture selector lever.

TO INSERT A COLOR DISC in the light beam move the proper color disc lever to the left as far as possible.

TO RELEASE A COLOR DISC move the lever to the extreme right. Be sure that the lever is always fully returned to the limit of its movement.

TO REMOVE A COLOR DISC ASSEMBLY remove the knobs on the aperture selector and masking shutter levers. Remove the two end screws from the cover plate casting and lift off, together with the boomerang. The two split rivets holding the color disc assembly can now be removed and a new color disc assembly installed. Only the six above mentioned color discs are supplied with the boomerang.

ONE AUXILIARY COLOR FRAME is provided for use when any special colors are desired. A gelatine filter cut to 9-1/4 x 9-1/2" will fit into the frame. Extra Strong Trouperette color frames can be obtained from your supply dealer.

TO INSERT THE AUXILIARY COLOR FRAME slip it into the spring filter holder clip at the extreme front of the lamphouse below the light exit opening.

GENERALLY THE BEST POSITION FOR OPERATION is to stand at the center of the spotlight on the right hand side, although angle of tilt and the size of porthole may alter the position for most convenient and effortless operation. One hand should be kept on the spot size control handle as the spot can thus be both directed and changed in size instantly. The other hand generally is used for operating the aperture selector handle, masking shutter lever, boomerang and steadying the spotlight. The vertical tilt locking knob located on the lamp saddle assembly can be set to give the required amount of friction on the spotlight swing to suit the individual operator.

ANGULAR ADJUSTMENT OF MASKING SHUTTER BLADE

AN UNBALANCED CONDITION will occur when the housing is removed, therefore the vertical tilt locking knob should be tight. Position the large lens by sliding the spot size control handle to the extreme forward position. Remove the knobs from both the masking shutter and the aperture selector levers. Remove the spot size control handle. Remove all screws securing the housing to the pan and lift off the lamp and optical housing.

ADJUST THE ANGULARITY of the masking shutter blades (Fig. 5, Items 10 and 14) to compensate for the horizontal projection angle. Loosen the screws holding each of the masking shutter blades, angle the bottom blade so that it lies parallel with the footlights, and tighten the lower screw. Operate the masking shutter lever to close the shutter blades and cause the upper blade to line up in the proper position. Tighten the upper blade locking screw. Check the setting by lighting the bulb and projecting a narrow strip spot to the stage.

REPLACEMENT AND ADJUSTMENT OF REFLECTOR AND BULB

THE REFLECTOR has been adjusted at the factory for maximum light efficiency and its position should not be changed.

IF IT BECOMES NECESSARY to replace the reflector, remove the lamp and optical system housing. Remove the screws, item 2, figure 4, attaching the reflector, item 15, to the mounting plate, item 1. DO NOT loosen or remove the screws, item 16, or the factory setting of the reflector on the optical center of the lens system will be lost. Install the new reflector.

IF THE ORIGINAL or replacement bulb does not project a suitable spot, it may be that the bulb is not seated properly in the socket or due to manufacturing tolerances, the bulb filament may not be in exactly the same position as the one used for the factory setting of the bulb and socket support bracket.

TO ADJUST THE BULB for maximum brilliancy, first project a spot with the large lens control about five inches back from the front of the lamphouse and focused to the sharpest spot possible. If any dark area appears at the top or bottom of the spot loosen slightly the two screws, item 8, figure 4, and move the bracket, item 12, up or down, to obtain even illumination around the edge of the spot. Tighten the two screws, item 8, securely.

IF THE CENTER OF THE SPOT appears darker or brighter than the edges, loosen the two thumb screws, item 11, figure 4, and move the bracket, item 13, a slight amount to the rear of the lamphouse. If this does not balance the light then the position of the stop plate, item 5, figure 4, must be moved a little towards the front of the lamphouse to permit moving bracket, item 13, forward. Loosen the screws, item 6, just enough to move the stop plate in small steps until an even spot is projected. Tighten screws, item 6, and thumb screws, item 11, when a satisfactory spot is obtained.

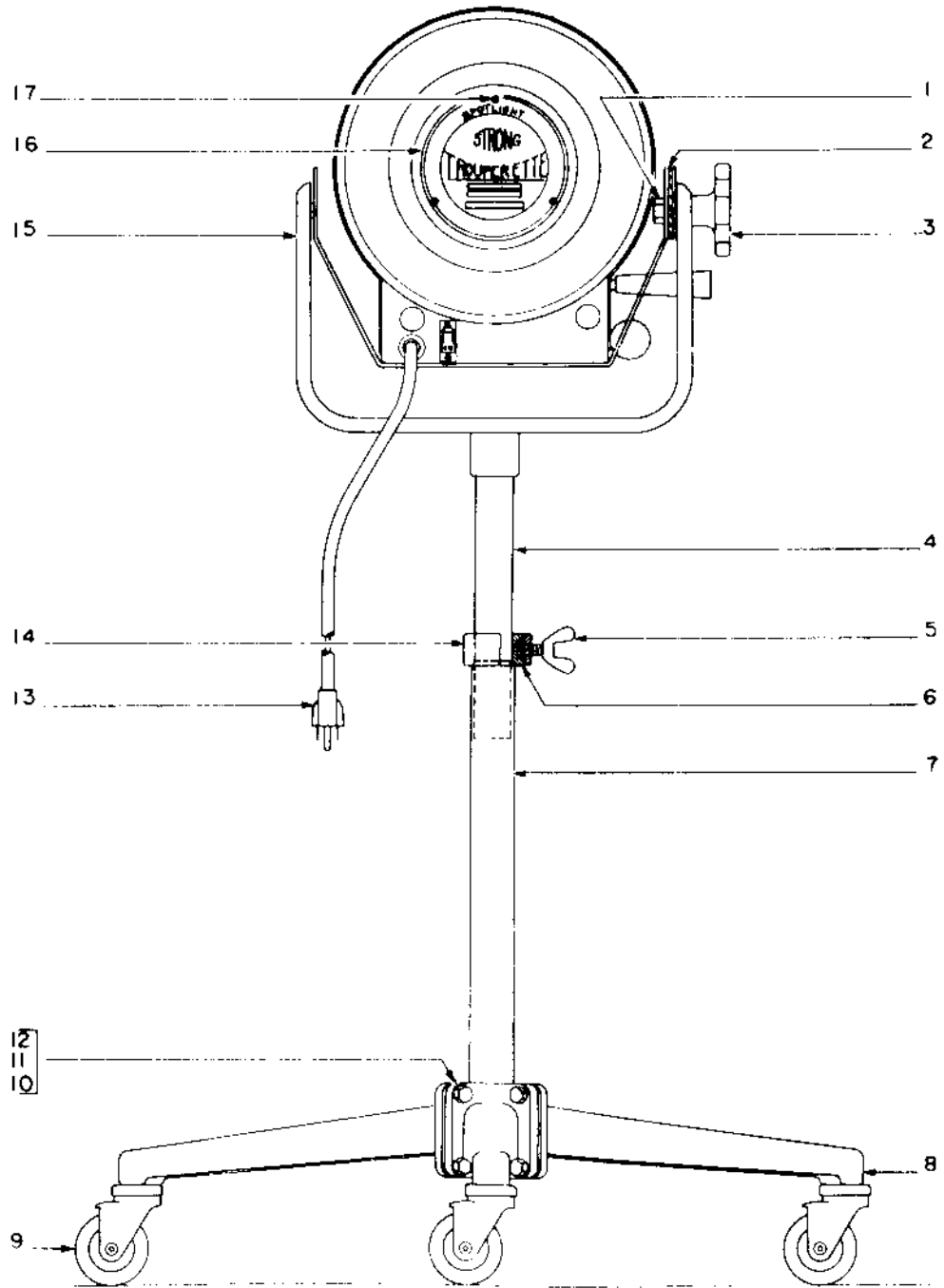
MAINTENANCE

TO CLEAN THE SMALL LENS, remove the color Filter Assembly (Fig. 6) and using a good grade of alcohol and a piece of lens tissue (facial tissue can be used as a substitute), gently wipe both sides of the lens until the surface is clean.

THE BACK SURFACE OF THE LARGE LENS can readily be cleaned by using the same access hole as above with the large lens carriage in the rear position.

TO CLEAN THE FRONT SURFACE of the large lens, slide the lens carriage to the full forward position. The front surface is now readily accessible through the front of the housing.

FIGURE NO. 2.



PARTS SHOWN ON ILLUSTRATION

<u>Figure</u>	<u>Item</u>	<u>Part No.</u>	<u>Title</u>
2	1	45152	Screw, Saddle Clamp
	2	45151	Friction Washer, Leather
	3	45153	Knob, Vertical Tilt Locking
	4	45158 45987	Tube, Inner
	5	1339	Thumb Screw 3/8-18 x 3/4"
	6	45160	Clamping Lug
	7	45157	Tube, Outer
	8	45156	Leg, Stand
	9	34014	Casters
	10	883	L'Washer - Split Ring, 5/16"(Stainless)
	11	808	Nut, 5/16-18, Half (Steel)
	12	617	Screw, 5/16-18 x 1-3/4" Hex Hd.
	13	45242	Cord W/Plug
	14	45159	Collar, Height Adj. Clamp
	15	45987	Yoke Assembly, Lamp
	16	45100	Name & Data Plate
	17	1303	Screw #6 x 3/8" Sheet Metal Type "A" Pan Hd.
3	1	1304	Screw #8-32 x 5/16" Bd. Hd.
	-	886	Lockwasher #8 Split Ring
	2	51493	Ring, Large Lens Carriage
	3	51492	Rubber Edge Mounting
	4	45209	"E" Ring 3/16"
	5	831	Washer, Flat #10
	6	51133	Lens Focus Adjusting Block
	7	45208	Shaft, Focus Adjusting
	8	51114	Stop Collar, Slide Rod
	-	783	Set Screw #10-32 x 1/4" Cup Pt.
	9	48103	Knob
	10	1305	Screw #6-32 x 1/4" Bd. Hd.
	-	892	Lockwasher #6 Shakeproof
	11	45224	Stud, Lens Focus
	-	541	Screw 1/4-20 x 1/2" Oval Hd. Bd.
	12	51992	Ribbon Assy, Lens Position
13	51509	Handle	
-	51508	Shaft	
-	809	Nut 3/8-16 Hex	
14	51158	Pulley, Small	
-	51160	Stud, Pulley	
15	1752	Screw, Lens Friction Brake 1/4-20 x 1" Nylon	
-	1754	Nut 1/4-20 Hex Nylon	
16	51162	Spring Lens Ribbon	

<u>Item</u>	<u>Part No.</u>	<u>Description</u>
16	45926	Cover Assy.
-	45100	Name Plate
-	1303	Screw #6 x 3/8" Sheet Metal
-	45268	Adapter Plate
-	45270	Plunger
-	45271	Grommet

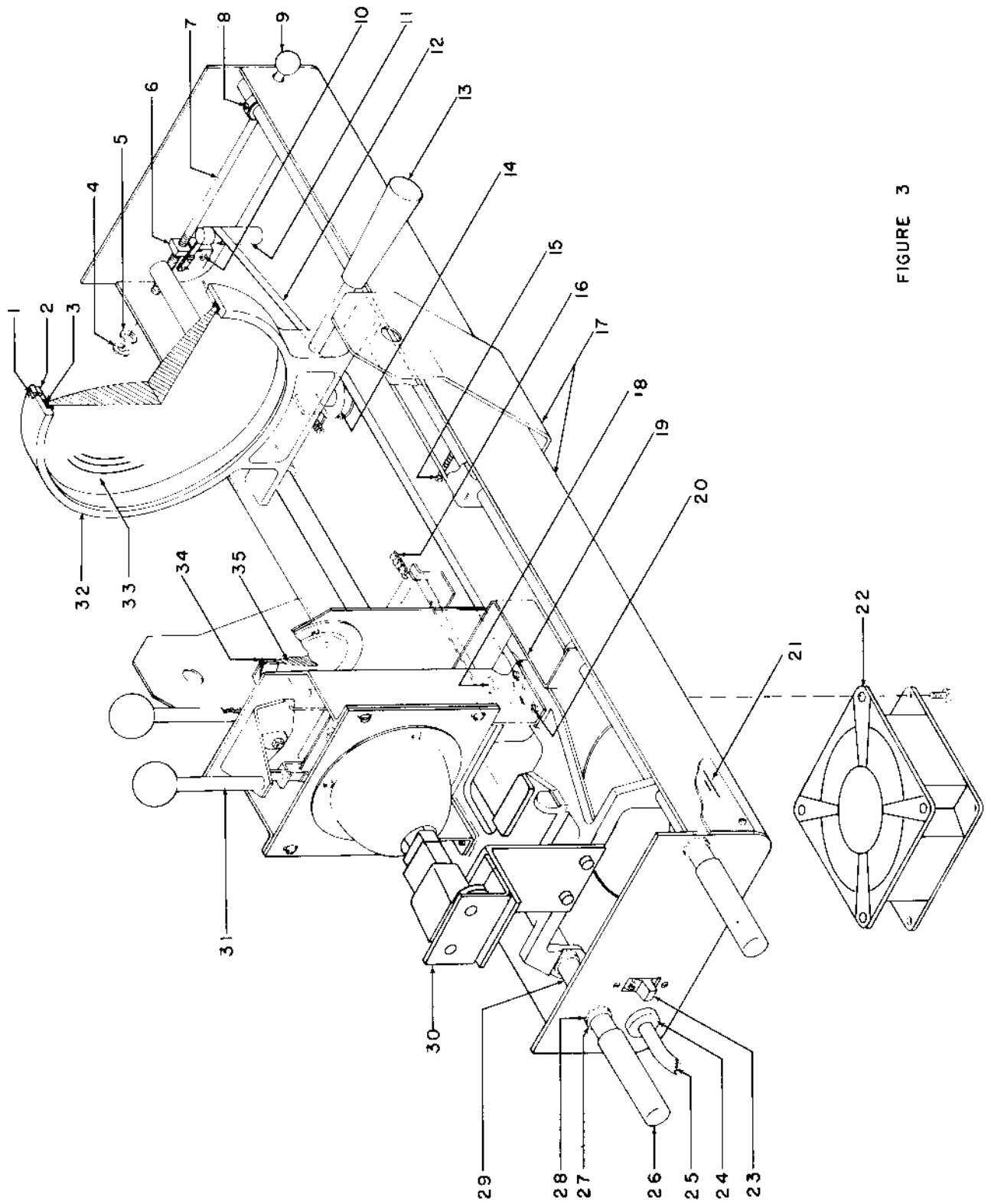


FIGURE 3

<u>Figure</u>	<u>Item</u>	<u>Part No.</u>	<u>Title</u>	
3 (cont'd)	17	45945	Base Pan, Weldment	
	18	51157	Pulley, Large	
	-	51160	Stud, Pulley	
	-	830	Washer #8	
	19	45930	Small Lens Carriage Weldment	
	20	1423	Screw #10-32 x 5/16" Bd. Hd.	
	-	45258	Shim (Under Aperture Support)	
	21	45942	Housing	
	-	464	Screw #10-32 x 1/4" Bd. Hd.	
	22	45259 45259	Blower	
	-	45225	Cord and Plug, Blower	
	-	83131	Grill Guard	
	-	192	Screw #6-32 x 2" Fil. Hd.	
	-	892	Lockwasher #6 Shakeproof	
	23	45178	Switch and Screws	
	24	23163	Bushing, Strain Relief	
	25	45242	A. C. Lead Cord with plug	
	26	45150A	Grip Handle (Plastic)	
	27	91219	"E" Ring 5/8"	
	28	46137	"E" Ring 5/8" Bowed	
	29	45233	Slide Rods	
	30	-	See Figure No. 4	
	31	-	See Figure No. 5	
	32	51876	Large Lens Carriage	
	33	51102	Lens, Large	
	34	45254	Retaining Ring	
	-	179	Screw #6-32 x 1/4" Fil. Hd.	
	-	793	Nut #6-32 Hex	
	-	892	Lockwasher #6 Shakeproof	
	35	45252	Lens, Small	
	4	1	45250	Mounting Plate, Reflector
		2	1748	Screw #6-32 x 3/8" Hex Hd. (Sht. Metal)
		3	45246	Lamp, Tungsten-Halogen (1000W., 120V.)
		4	1311	Screw #8-32 x 3/8" Bd. Hd.
		5	45261	Stop Plate
6		1744	Screw #10-24 x 1/2" Hex Socket Hd.	
-		866	Washer #10 Flat	
-		1344	Lockwasher #10 Shakeproof	
7		45264	Support Casting	
8		1534	Screw #10-32 x 5/8" Soc. Hd. Cap	
9		1344	Lockwasher #10 Shakeproof	
10		866	Washer #10 Flat	
11		1695	Thumb Screw #10-24 x 3/8"	
12	45263	Support Bracket		
13	45262	Bracket, Bulb Socket		

FIGURE NO. 4

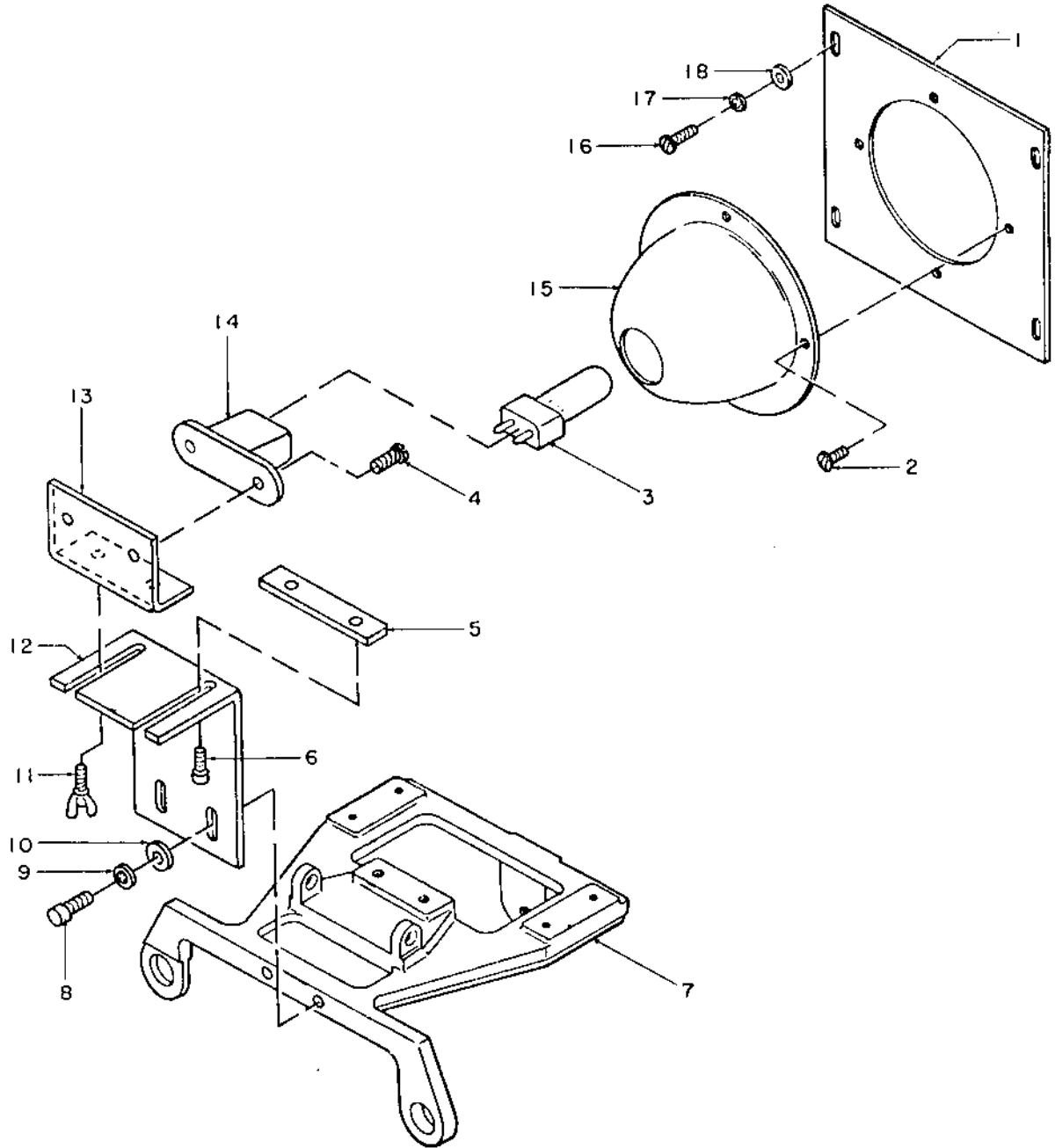
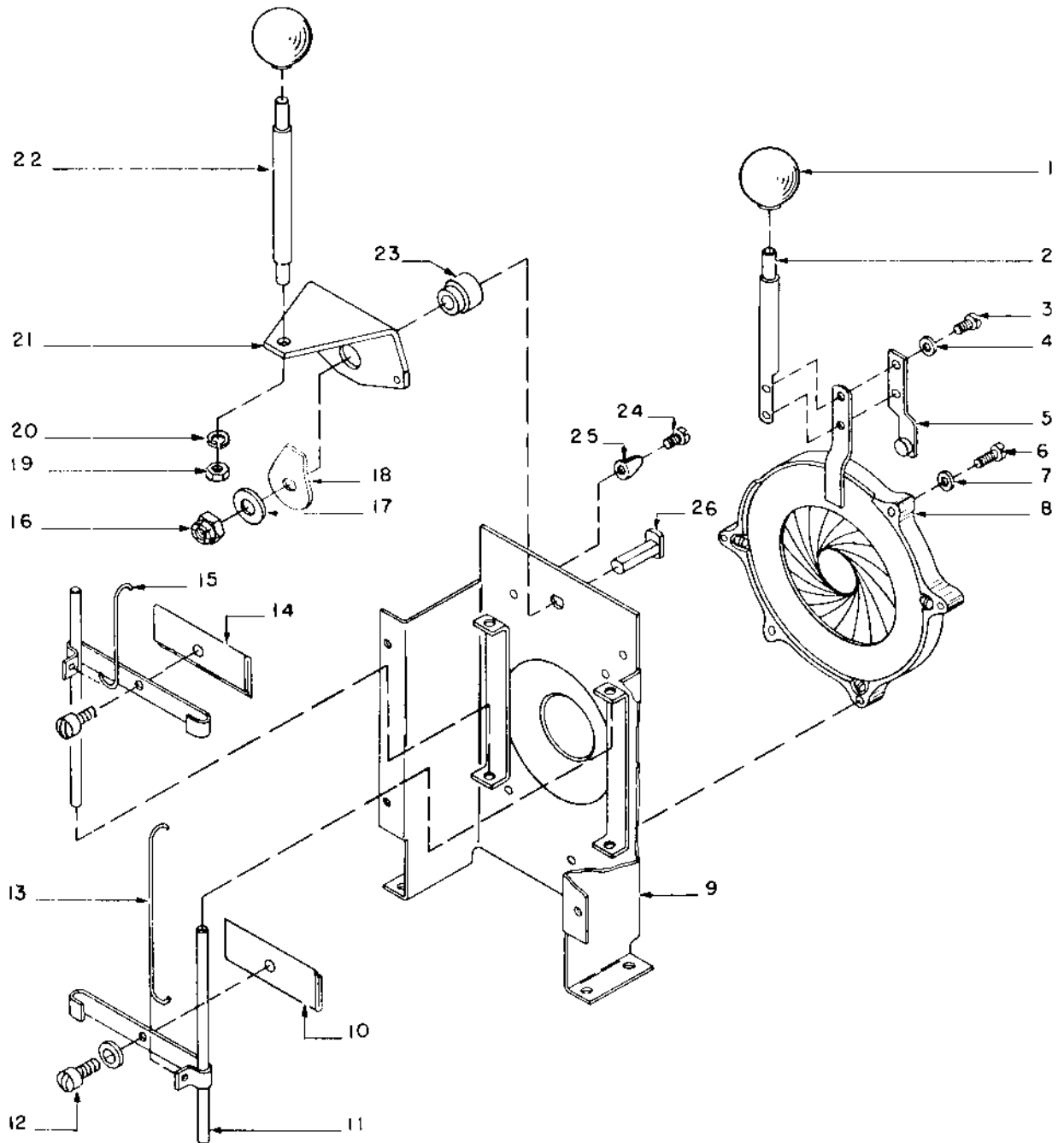


FIGURE NO. 5



<u>Figure</u>	<u>Item</u>	<u>Part No.</u>	<u>Title</u>
4 (cont'd)	14	45247	Socket
	15	45245	Reflector
	16	1311	Screw #8-32 x 3/8" Bd.Hd.
	17	886	Lockwasher #8 Split Ring
	18	829	Washer, #8 Flat
5	1	10048	Knob
	2	51228	Shaft, Iris
	3	179	Screw #6-32 x 1/4" Fil.Hd.
	4	892	Lockwasher #6 Shakeproof
	5	51978	Friction Spring, Iris
	-	51229	Friction Pad
	6	183	Screw #6-32
	7	892	Lockwasher #6 Shakeproof
	8	51979	Iris Assembly
	9	45932	Aperture Support Assy.
	10	47978	Masking Blade
	11	47982	Slide Assy.
	12	253A	Screw #8-32 x 3/16" Fil.Hd.
	-	886A	Lockwasher #8 Split Ring
	13	51497	Pull Rod Masking Blade
	14	47979	Masking Blade
	15	51498	Pull Rod, Masking Blade
	16	1406	Nut 5/16-18 Flexlock
	17	853	Washer 5/16" Flat
	18	51156	Friction Plate
	19	805	Nut 1/4-20 Hex
	20	876	Lockwasher 1/4" Split Ring
	21	51488	Bracket, Masking Blade Handle
	22	51155	Shaft, Masking Blades
	23	51153	Spacer Bushing
	24	254	Screw #8-32 x 1/4" Fil. Hd.
25	2621A	Clip, Stop	
26	51226	Stud, Masking Blade Bracket	

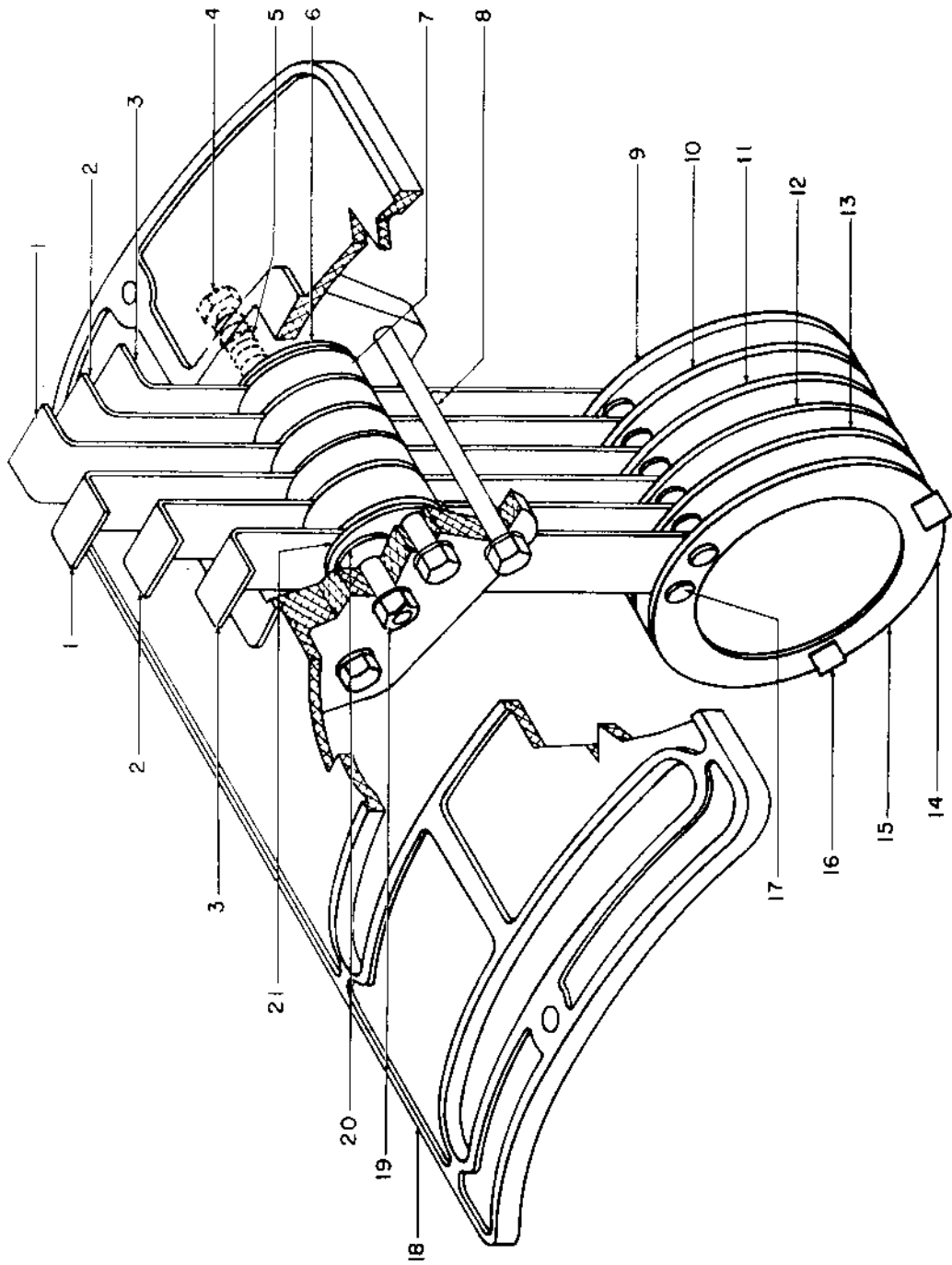


FIGURE NO. 6

<u>Figure</u>	<u>Item</u>	<u>Part No.</u>	<u>Title</u>
6	1	45131	Handle, Long
	2	45130	Handle, Intermediate
	3	45129	Handle, Short
	4	709	Bolt 1/4-20 x 4" Hex Hd. Cap
	5	1026	Spring
	-	45135	Bushing, Pivot Bolt
	6	45133	Spacer, Thin
	7	45134	Spacer
	8	1743	Bolt 1/4-20 x 3-1/2" Hex Hd. Cap
	9	45981	Color Disc Assy. (Special Steel Blue)
	10	45982	Color Disc Assy. (Special Lavender)
	11	45983	Color Disc Assy. (Light Magenta)
	12	45984	Color Disc Assy. (Med. Pink)
	13	45985	Color Disc Assy. (Flesh Pink)
	14	45986	Color Disc Assy. (Bastard Amber)
	*	45959	Color Discs are sold in sets of six. Any selection of the six colors will constitute (1) set.
	15	45122	Color Frame
	16	46150	Clip
	17	1456	Paper Fastener
	18	45132	Cover Plate Casting
	19	45260	Nut, Nylon 1/4-20 Hex
20	852	Washer, 1/4" SAE Std.	
21	45133	Spacer, Thin	