

Instructions

**FOR
EQUIPMENT**

Type

46000-2

8-61

TROUPIT INSTRUCTIONS

PLACE THE LAMP AND SADDLE ASSEMBLY into the slots of the Yoke Assembly making sure that the leather friction washer is between the metal friction surfaces of the saddle and the yoke.

PLACE THE ASSEMBLED LAMP AND YOKE into the stand.

TO INSERT THE BULB, remove the vent cap assembly by pressing in on its sides and lifting it off the lamp. Insert the bulb in the holder, press down and give a 1/4 turn in a clockwise direction. Snap the vent cap back in place.

INSERT THE POWER CORD into any 115 volt current convenience outlet.

USE THE SWITCH FOR ON-OFF OPERATION. The left handle grip controls the douser and the right handle grip controls the spot size.

THE SPOT FOCUSING CONTROL is located on the front of the lamp and is used to adjust the optical system for the length of throw. Turn the spot focusing control until the sharpest edge is obtained on the projected spot.

NO LUBRICATION of the Spotlight is necessary. Occasionally remove the lamp housing and clean the lenses with a good grade of alcohol.

A COLOR BOOMERANG equipped with 6 color filter discs is available as an accessory and can be attached very easily to the front of the Spotlight.

ONE AUXILIARY COLOR FRAME is provided for use when any special color is desired. A gelatine filter cut to 9-1/4" x 9-1/2" will fit into the frame. Extra color frames can be obtained from your supply dealer as part number 51970.

PLATE 1724

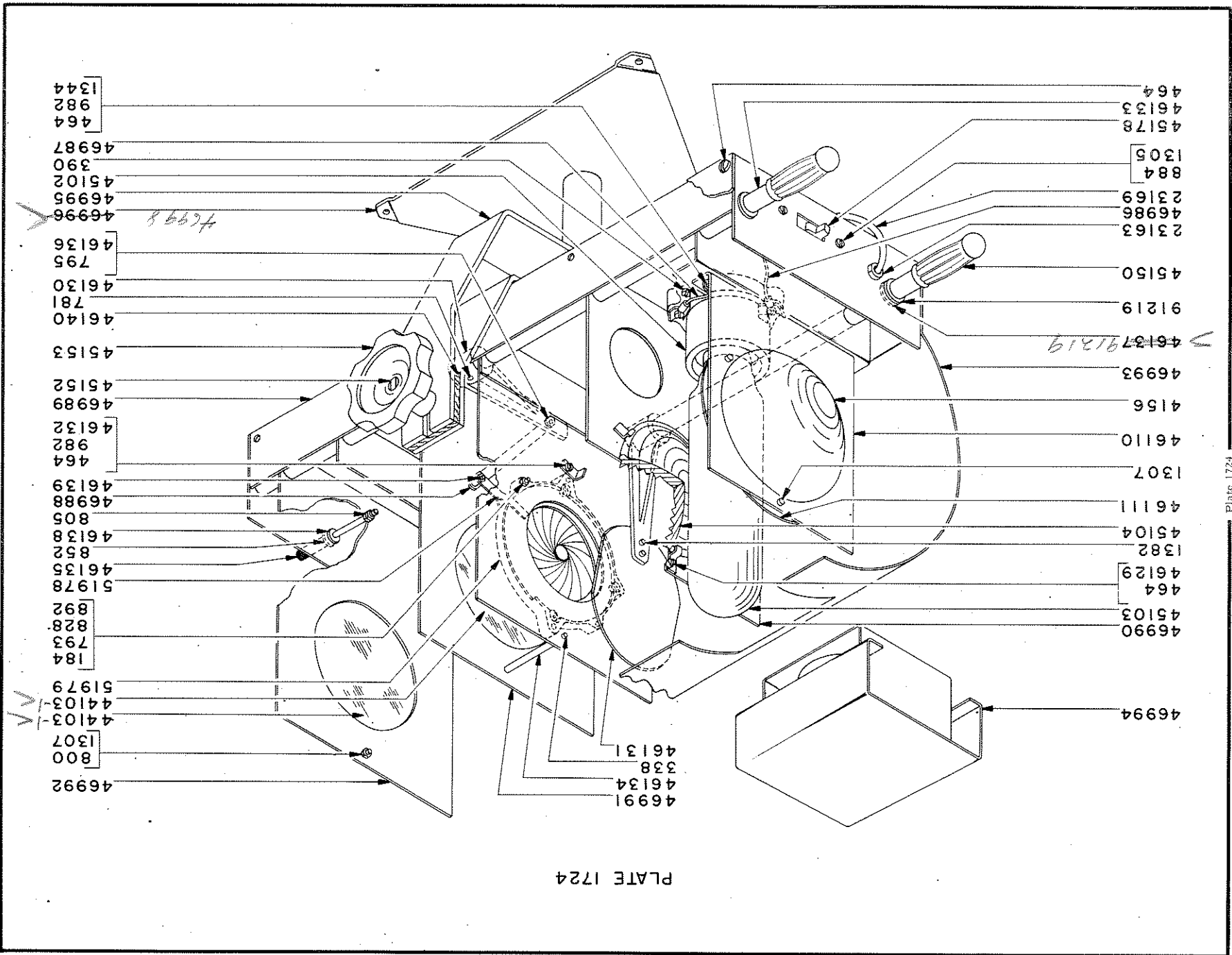
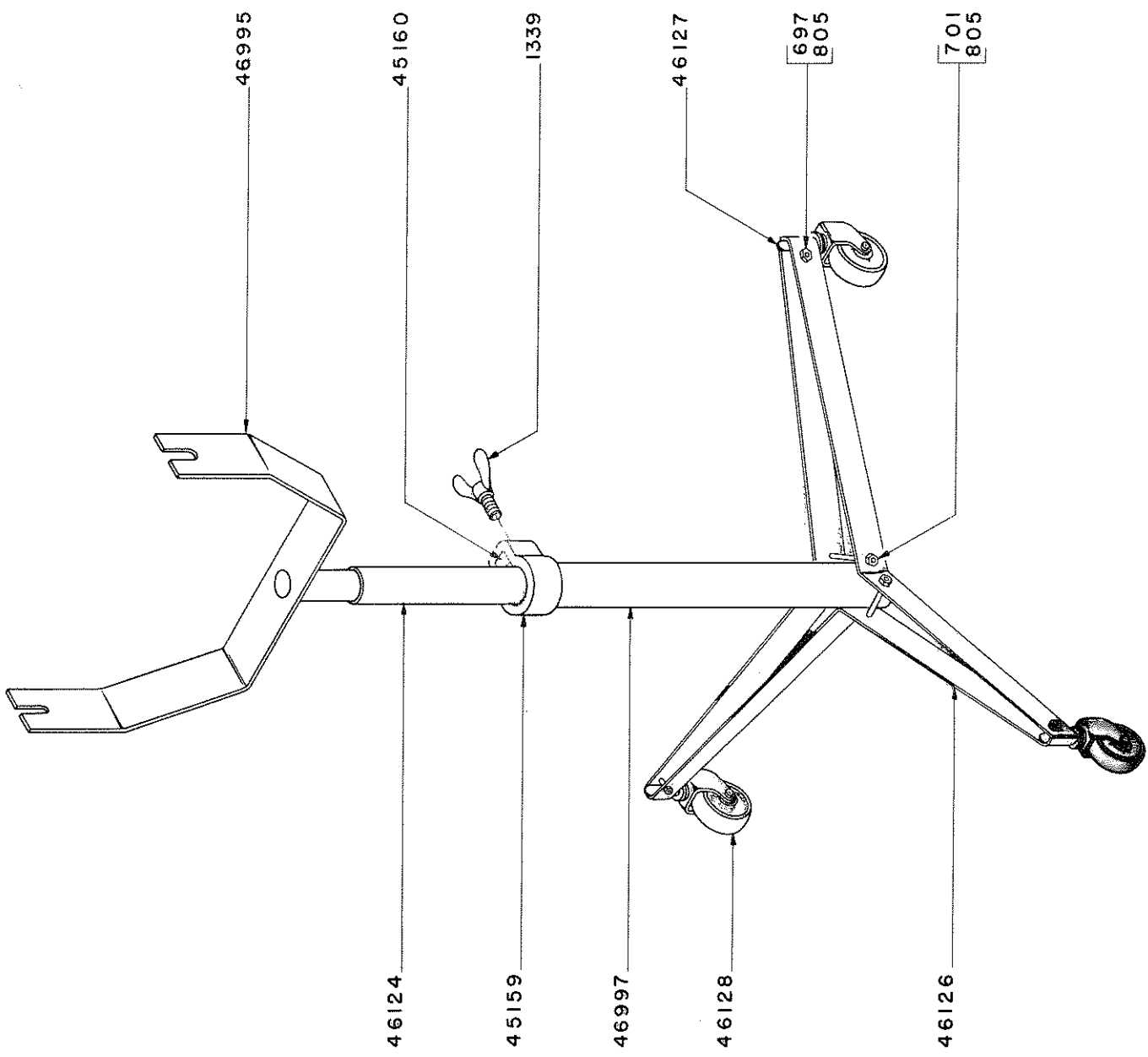


Plate 1724

PLATE 1723



184 Screw-Fil. Hd. 6-32 x 5/8
 338 Screw-Rd. Hd. 10-32 x 2-1/2
 390 Screw - Fil. Hd. 10-32 x 3/4
 464 Screw - Bd. Hd. 10-32 x 1/4
 697 Screw - Hex Hd. 1/4-20 x 1-1/4
 701 Screw - Hex Hd. 1/4-20 x 1-3/4
 781 Set Screw - Allen Hd. 8-32 x 1/4
 793 Nut - Steel 6-32
 795 Nut - Steel 8-32
 800 Nut - Steel 1/2, 10-32
 805 Nut - Steel, 1/4-20
 828 Washer - Brass, #6
 852 Washer - Steel, 1/4
 884 L'Washer, #6
 892 L'Washer, #6 Shakeproof
 982 Washer - Bright Kromide
 1305 Screw - Binding Hd. 6-32 x 1/4
 1307 Screw - Binding Hd. 10-32 x 3/8
 1339 Thumb Screw, Type B 3/8-16 x 3/4"
 1344 L'Washer, #10
 1382 Screw - Binding Hd. 8-32 x 3/16
 4156 Reflector
 23163 Strain Relief
 23169 Power Cord
 44103-1 Lens
 45102 Socket - Bulb
 45103 Bulb - Light
 45104 Lens - Fresno
 45150 Handle Grip
 45152 Screw - Saddle Clamp
 45153 Knob - Clamping
 45159 Collar-Clamp, Height Adjustment
 45160 Lug - Clamping
 45178 Switch
 46110 Bracket - Reflector Mounting
 46111 Ring - Reflector Retaining
 46124 Pipe - Stand
 46126 Leg - Base Stand
 46127 Socket
 46128 Caster - 2" diameter, Plastic
 46129 Clip - Holed
 46130 Arm - Actuating
 46131 Douser
 46132 Clip - Douser Stop
 46133 Rod - Lens Carriage
 46134 Spacer
 46135 Screw - Lens Adjusting
 46136 Screw - Shoulder

*

46137	"E" Ring - 5/8, Bowed
46138	"E" Ring - 1/4
46139	"E" Ring - 9/64
46140	Washer - Friction
46986	Wire Lead - Power Cord to Socket
46987	Wire Lead - Socket to Switch
46988	Connecting Link Assembly
46989	Base Pan Assembly
46990	Light Chassis Assembly
46991	Lens & Iris Carriage Assembly
46992	Movable Lens Carriage Assembly
46993	Housing Assembly
46994	Exhaust Stack Assembly
46995	Yoke Assembly
46996 46998	Table Stand Assembly
46997	Stand Pipe & Reinforcing Plug Assembly
51978	Brake Assembly
51979	Iris Assembly
91219	"E" Ring, 5/8

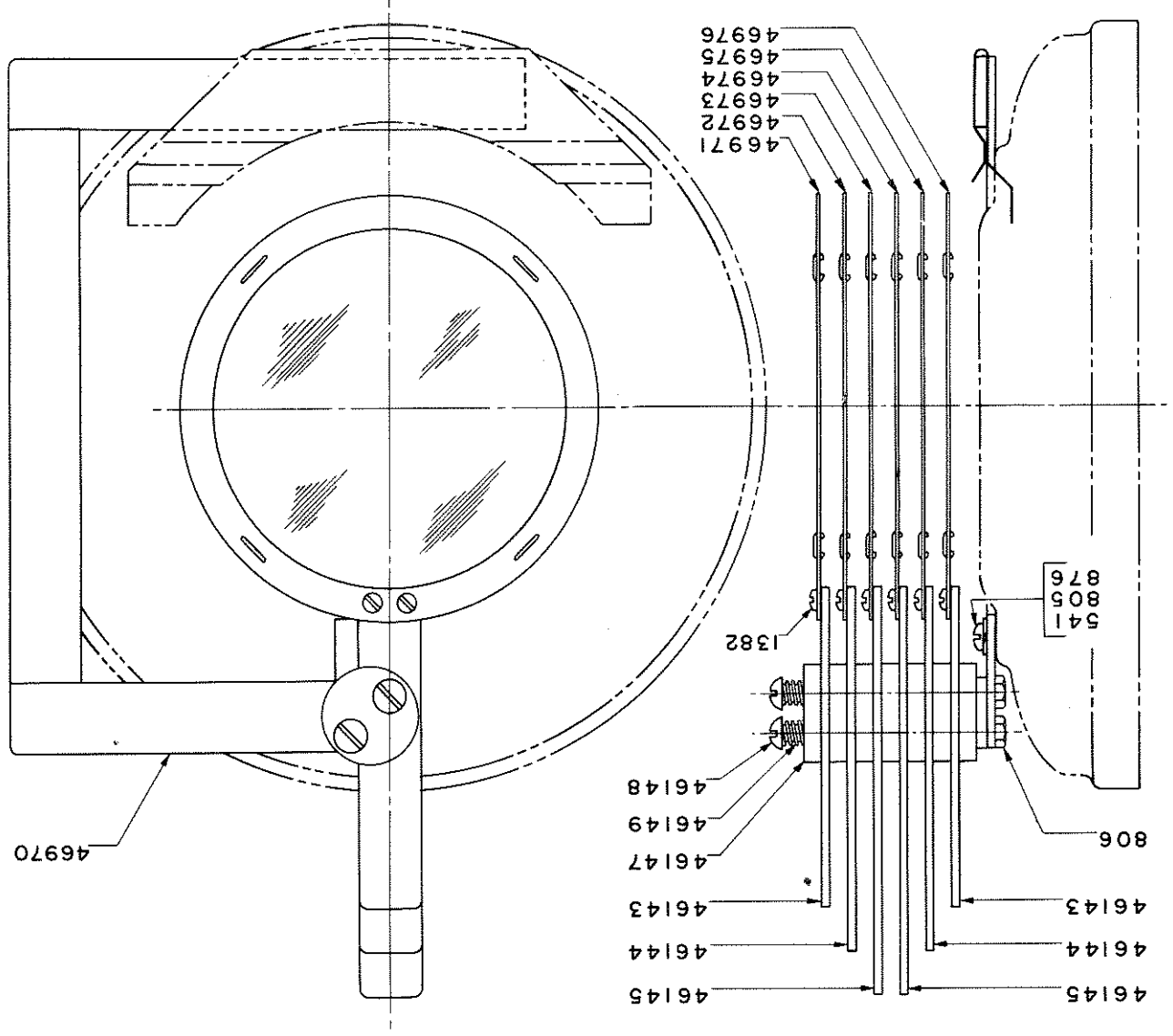


PLATE 1762

541	Screw-Bd. Hd. Oval 1/4-20 x 1/2"
805	Nut - Steel, 1/4-20
806	Nut - Half, Steel, 1/4-20
876	L'Washer - Split Ring, 1/4"
1382	Screw - Binding Head, 8-32 x 3/16
46143	Handle - Color Disc (short)
46144	Handle - Color Disc (medium)
46145	Handle - Color Disc (long)
46147	Spacer - Color Disc
46148	Screw - Pivot & Stop
46149	Spring - Spacer Compression
46970	Support Assembly - Color Disc
46971	Color Disc Assembly (Special Steel Blue)
46972	Color Disc Assembly (Special Lavender)
46973	Color Disc Assembly (Light Magenta)
46974	Color Disc Assembly (Medium Pink)
46975	Color Disc Assembly (Light Pink)
46976	Color Disc Assembly (Amber)

PARTS LIST

All the prices are quoted f. o. b. Toledo and are subject to change without notice.

When ordering parts be sure to advise the serial numbers and the model of lamps in addition to the name of the parts wanted and how shipment is to be made.

There will be a minimum charge of five dollars on any one invoice and a service charge sufficient to cover the cost of handling on all merchandise returned to us for credit.