

Ultra Arc[®] Titan Long Throw Followspot



DESCRIPTION

The **Ultra Arc Titan** is the latest addition to the Ultra Arc family of high intensity followspots from Phoebus Manufacturing. Constructed of the highest quality components, the Titan continues the Ultra Arc tradition of dependability and insures years of safe reliable service.

The Titan features a 1200 watt single ended HMI lamp with a rated life of 750 hours and a color temperature of 5600° Kelvin.

Designed for throws between 100 feet and 300 feet the Titan's precision lens system and a specially designed reflector produce maximum light output while maintaining a flat even field. A lightweight magnetic ballast draws less than 15 amps from standard 120 volt 50/60 Hz AC power

Options include a rugged, lightweight road case designed specially for the Titan, a 15 lb. solid state power supply, 220/240 volt 50 Hz operation and a hanging yoke.

Ideal for today's live event venues the Titan advances the Ultra Arc line of followspots to a new level of competitiveness and continues the legacy of quality, dependability and affordability. Ease of handling and quality construction insure that the Ultra Arc line of followspots will cover any application from the smallest schools, clubs and churches to full-scale entertainment facilities.

FEATURES

- throws from 100-300 feet
- 4:1 zoom range
- draws less than 15 amps
- 750 hour lamp life
- dowser, iris and clipper
- built-in, six-color automatic color changer
- steep 70° downward tilt and 60° upward tilt
- full 360° horizontal sweep
- efficient forced air cooling
- superb lumen maintenance hour meter
- lightweight aluminum housing, chassis, bulkheads and components
- magnetic power supply
- sturdy 4-point collapsible base
- quiet and cool running
- easy to transport – easy to operate – easy to afford
- Rear Access Door-for quick and easy light field adjustments.



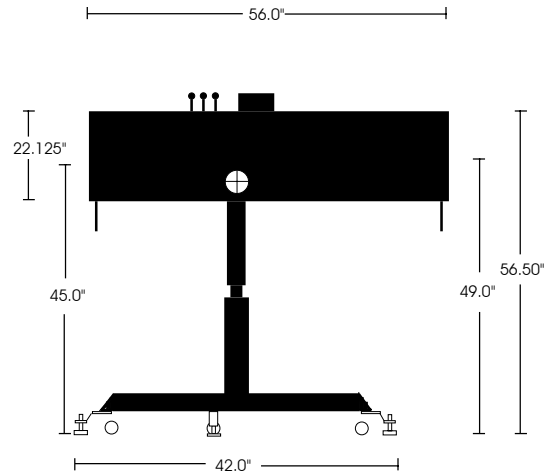
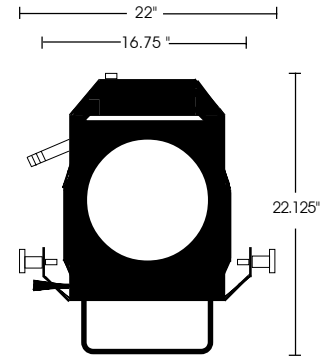
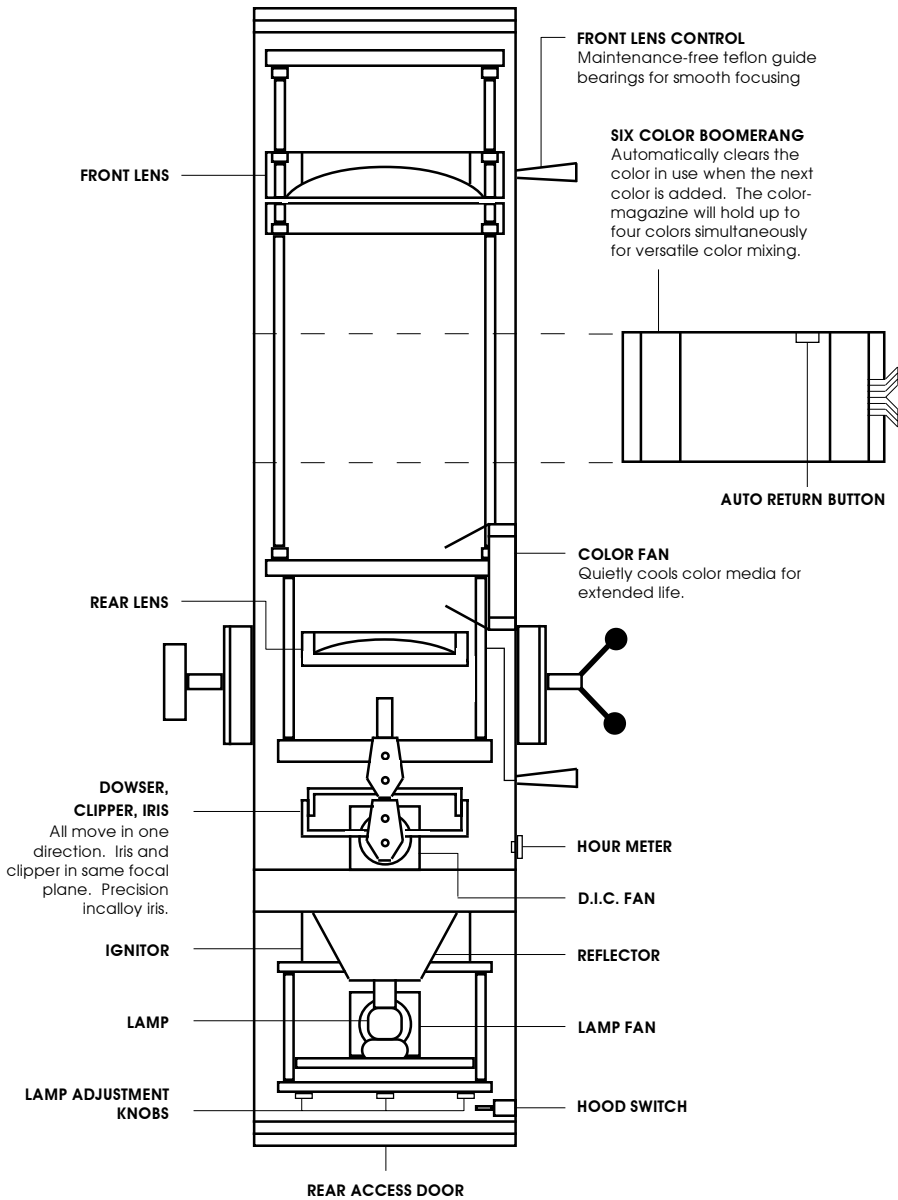
1200WSE lamp



Strong
Lighting

10533 Chandler Rd, Suite 101
La Vista, NE 68128

Tel. 402-506-9096
www.strong.lighting



SPECIFICATIONS

| | |
|---|------------|
| Head Length | 56.0" |
| Overall Head Height | 22.2" |
| Overall Height w/Base | 56.5" |
| Height of Pivot Point | 45.0" |
| Floor to Beam Center | 49.0" |
| Base Width | 42.0" |
| Front Clearance Radius for: | |
| Vertical Movement | 36.0" |
| Horizontal Movement | 36.0" |
| Rear Clearance Radius for: | |
| Vertical Movement | 25.0" |
| Horizontal Movement | 23.5" |
| Maximum Height at Rear with Downward Tilt | 70.0" |
| Maximum Height at Front with Upward Tilt | 81.0" |
| Maximum Downward Tilt From Horizontal | 70° |
| Maximum Upward Tilt From Horizontal | 60° |
| Horizontal Sweep | 360° |
| Lamp | HMI 1200 |
| Watt | |
| Power Requirement | 15A 120VAC |
| Head Weight | 93 lbs |
| Ballast Weight | 43 lbs |
| Base Weight | 40 lbs |
| Cord Length | |

Titan Long Throw Optical System Performance At Various Distances

| Throw In Feet | Spot | | | Flood | | |
|---------------|----------|----------|-------------|----------|----------|-------------|
| | Min Diam | Max Diam | Footcandles | Min Diam | Max Diam | Footcandles |
| 50 | 5" | 30" | 3000 | 1' | 8' | 650 |
| 75 | 8" | 4' | 1300 | 1' 6" | 12' | 300 |
| 100 | 10" | 5' | 750 | 2' | 16' | 160 |
| 150 | 15" | 7' 6" | 325 | 3' | 24' | 70 |
| 200 | 1' 9" | 10' | 180 | 4' | 32' | 40 |
| 300 | 2' 7" | 15' | 80 | 6' | 48' | 18 |

Note: Measurements were completed with a flat field setting and an Osram 1200W/SE lamp.