

# Ultra Quartz<sup>®</sup> II Followspot



## DESCRIPTION

The newly designed Phoebus Ultra Quartz II is a rugged, compact high intensity followspot designed for key lighting in smaller spaces. Its variable focal length lens system increases light intensity as the beam shrinks from flood to spot.

The Ultra Quartz incorporates an integrated dichroic reflector ENX or FLE lamp that draws 360 watts at 82 volts. The light output of the Ultra Quartz is equivalent to or greater than the light output of conventional 1000 watt followspots and now features a mechanical dousing function.

At a 60 foot throw with the iris open and lenses adjusted to the spot position, the Ultra Quartz beam has a diameter of 8 feet; light output is over 124 footcandles. With the lenses set in flood position the beam's diameter is 20 feet and light output is over 40 footcandles.

The Ultra Quartz operates on standard 120V, 50/60 Hz AC and is also available for 220/240 volt 50 Hz operation.

Perfect for portable or permanent use, the Ultra Quartz weights just 76 pounds, including base. This makes it ideal for small theaters, nightclubs or school auditoriums. The sturdy Ultra Quartz holds up to on-the-road abuse and rigorous rental schedules.

## FEATURES

- throws from 25-100 feet
- 3:1 zoom range
- draws less than 4 amps
- iris and douser
- high intensity dichroic reflector lamp
- six-color color changer
- steep 70° downward tilt and 60° upward tilt
- full 360° horizontal sweep
- built-in spare lamp compartment
- superb lumen maintenance
- cast-aluminum base
- small, lightweight and extra rugged
- rigid steel chassis
- lightweight aluminum housing, bulkheads and components
- quiet, cool and compact
- 3-Position lamp & fan control switch
- easy to operate and maintain
- Read access door
- ETL Approved

## APPLICATIONS

- Nightclubs, Schools, Churches, Small Theaters, and Rentals

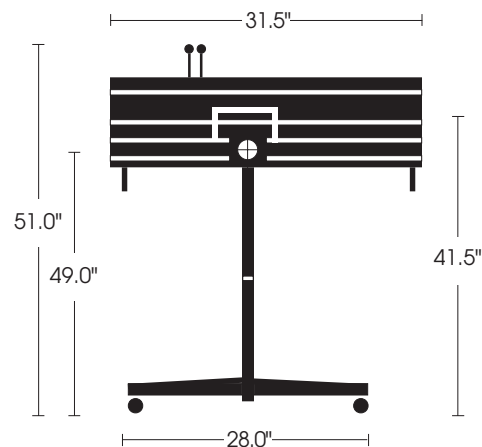
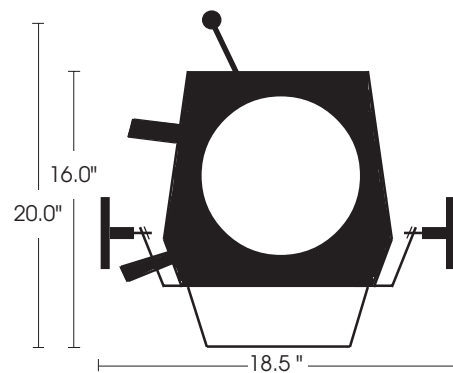
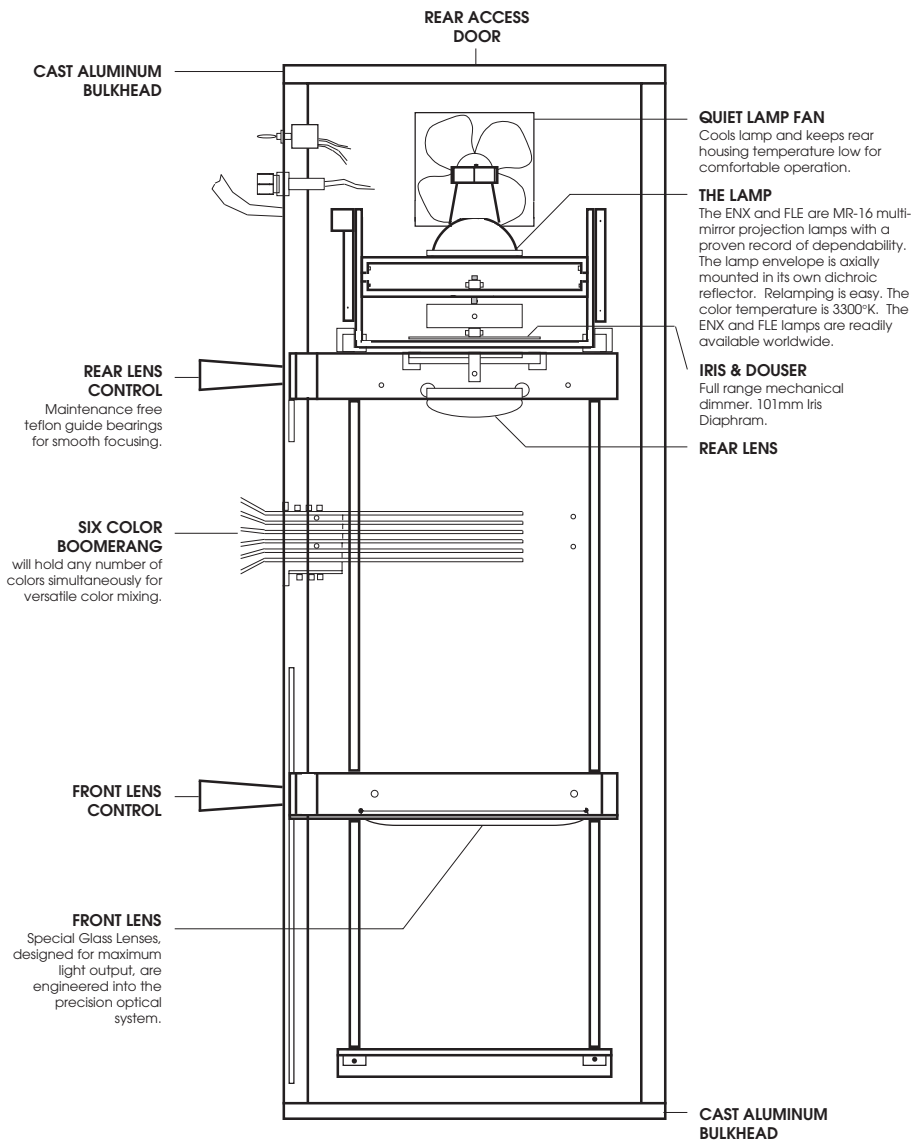
## OPTIONS

- Available for 220/240 volt 50Hz AC

**ULTRA  
QUARTZ<sup>®</sup> II**

**Strong  
Lighting**

10533 Chandler Rd, Suite  
101 La Visa, NE 68128 Tel.  
402-506-9096  
www.strong.lighting



## SPECIFICATIONS

Overall Length	31.5"
Overall Width at Base	28.0"
Overall Height	51.0"
Height of Pivot Point	39.0"
Floor to Beam Center	41.5"
Front Clearance Radius for:	
Vertical Movement	21.0"
Horizontal Movement	20.5"
Rear Clearance Radius for:	
Vertical Movement	16.5"
Horizontal Movement	14.5"
Maximum Height at Rear with Downward Tilt	55.0"
Maximum Height at Front with Upward Tilt	56.0"
Maximum Downward Tilt From Horizontal	70°
Maximum Upward Tilt From Horizontal	60°
Horizontal Sweep	360°
Lamp	ENX or FLE
Power Requirement	4 amps 120 VAC
Cord Length	11' 6"

**Total Operating Weight Including Base** **75.5 lbs.**

**Ultra Quartz II Optical System Performance At Various Distances\***

Throw In Feet	Spot			Flood	
	Min Diam.	Max Diam.	Footcandles	Max Diam.	Footcandles
40	5.6"	5.3'	285	13.1'	93
50	6.9"	6.7'	182	16.4'	61
60	8.3"	8.0'	124	19.7'	43
70	9.7"	9.2'	96	23.0'	31
80	11.1"	10.5'	73	26.2'	22
90	12.5"	11.88'	55	29.5'	19
100	13.9"	13.0'	45	32.8'	15
110	15.3"	14.5'	39	36.1'	12
120	16.7"	15.7'	30	34.4'	10
130	18.0"	17.0'	26	42.6'	9
140	19.5"	18.3'	23	45.9'	8

\* Light measurements taken with FLE lamp - for ENX lamp reduce by 25%