

The i-marc™ 850 Followspot

FEATURES

- throws from 50-250 feet
- 2:1 zoom range
- draws less than 12 amps
- iris, clipper and dower
- high intensity metal halide 1000hr DC lamp
- six-color color changer
- steep 70° downward tilt and 60° upward tilt
- full 360° horizontal sweep
- superb flicker free lumen maintenance
- lightweight all aluminum chassis and housing
- cast aluminum bulkheads
- sturdy 4-point collapsible steel base w/yoke
- quiet, cool operation
- easy to operate and maintain
- ETL submitted
- black powder coat finish

APPLICATIONS

- Professional level spotlight for theaters, tours, large churches and rental houses.

OPTIONS

- available for 220/240 volt 50hz operation
- available in white powder coat finish.



DESCRIPTION

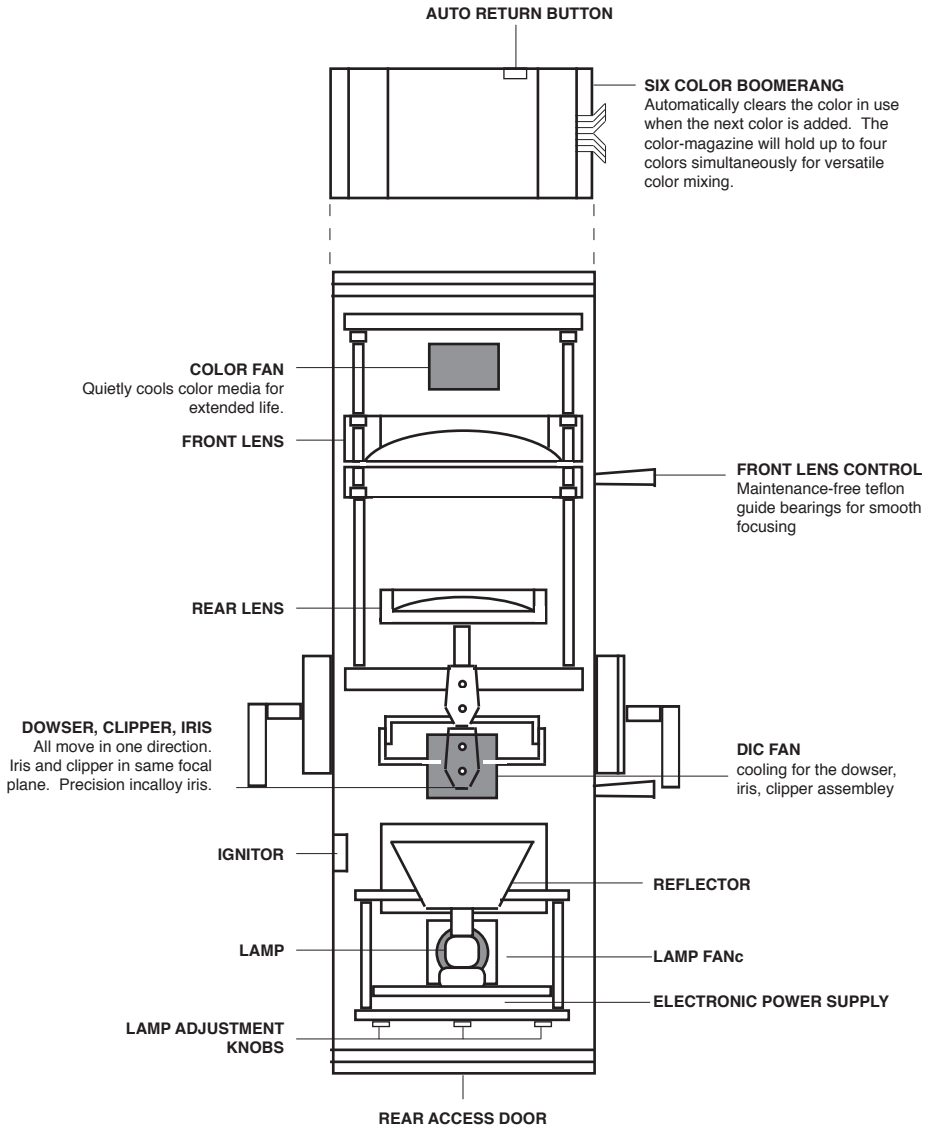
New to our line of quality followspots, the energy efficient **i-marc™ 850** features an all aluminum housing, chassis, and bulkheads, a variable focal length lens system, and mechanical dower, clipper and iris. At the heart of the **i-marc™ 850** is the SMH-850/D1 high intensity DC arc lamp. This exceptional 1000 hour lamp is rated at 850 watts and delivers a lumen output far superior to rival followspots.

Setting a new standard for keylighting the moving performer, the **i-marc™ 850** produces over 500 foot candles of smooth field, 5600 kelvin illumination at 100'. The SMH DC lamp is axially mounted and delivers flicker free operation throughout its 1000 hour life. Driven by an integral, medical grade electronic ballast, the lamp reaches full brightness in under 30 seconds and will restrike instantly.

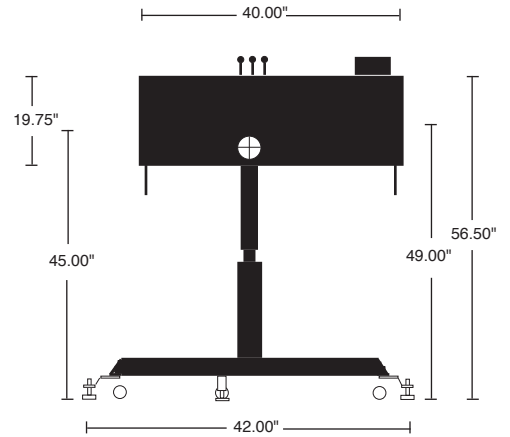
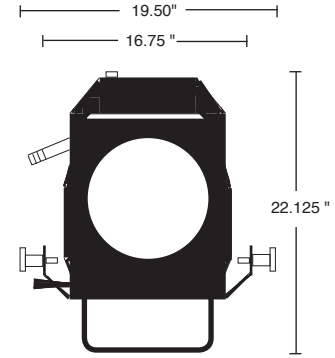
Super quiet and cool to the touch, the **i-marc™ 850** draws only 12 amps at 120 volts, making it a perfect fit for larger theater applications where compact size is a must. Affordable, durable and versatile, the new **i-marc™ 850** is the most cost efficient followspot on the market today.



10533 Chandler Rd, Suite 101
La Visa, NE 68128
Tel. 402-506-9096
www.strong.lighting



THE LAMP
The SMH-850 enhanced metal halide projection lamp. With a proven record of dependability, the SMH-850 provides superb flicker free lumen maintenance over a rated life of 1000 hrs. Lamp envelope is axially mounted in an electro-formed nickel plated reflector which makes relamping simple and easy.



SPECIFICATIONS

Head Length	40.00"
Overall Head Height	19.75"
Overall Height w/Base	56.50"
Height of Pivot Point	45.00"
Floor to Beam Center	49.00"
Base Width	42.00"
Front Clearance Radius for:	
Vertical Movement	26.00"
Horizontal Movement	24.00"
Rear Clearance Radius for:	
Vertical Movement	23.00"
Horizontal Movement	24.00"
Maximum Height at Rear with Downward Tilt	68.00"
Maximum Height at Front with Upward Tilt	70.50"
Maximum Downward Tilt From Horizontal	70°
Maximum Upward Tilt From Horizontal	60°
Horizontal Sweep	360°
Lamp	SMH-850w/D1
Power Requiremen	12A 120VAC
Head Weight	75 lbs
Base Weight	40 lbs

Imarc™ 850 Optical System Performance At Various Distances

Throw In Feet	Spot			Flood		
	Min Diam.	Max Diam.	Footcandles	Min Diam.	Max Diam.	Footcandles
50	9"	4'7"	2000	13"	7'4"	624
80	16"	7'3"	837	22"	12'	256
100	20"	9'	511	28"	16'	213
150	30"	14'	255	40"	24'	99
200	40"	18'	128	50"	48'	56