

# Silverbeam PSL-14 2K Xenon Searchlight



## FEATURES

- 14" nickel based rhodium plated reflector
- 2,000 watt xenon light source (lamp included)
- 2,000 hour lamp life
- 5600° Kelvin color temperature
- focusable beam
- lightweight aluminum housing and bulkheads
- 220 volt single phase magnetic ballast
- compact and versatile

## ACCESSORIES

- revolver
- hanging yoke kit
- floor pad
- rolling stand
- shutters (manual)
- shutters (motorized)
- motor zoom focus
- dolly
- color magazine
- head extension cable
- lightweight solid state ballast

## DESCRIPTION

The **Silverbeam PSL-14/2K** is a versatile searchlight system designed for use in architectural, television/motion picture production, advertising and special event lighting applications.

A powerful 2,000 watt xenon lamp combined with a specially designed rhodium plated, electroformed reflector delivers 13,750 footcandles at 100 feet. The 2,000 watt xenon lamp has a rated life of 2,000 hours and a constant color temperature of 5600° Kelvin. Color temperature will not change over the life of the lamp, making it ideal for television and motion picture lighting. Also, because xenon lights run on pulsed DC current they deliver flicker-free light for high speed film or video.

Lightweight rugged aluminum housing and bulkhead combination insure years of safe reliable service. A low noise, efficient cooling system brings fresh air into the lamp housing, drawing it over the lamp and reflector. External focus control allows the operator to quickly go from a collimated narrow beam, for maximum candlepower, to a wide flood pattern.

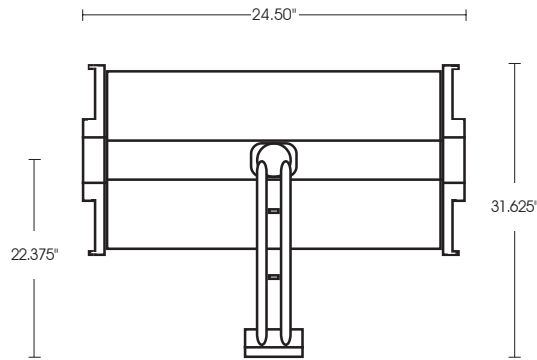
The Silverbeam PSL-14 operates on standard 220 volt power and features a proven, reliable, magnetic ballast. Ballast options include a road case with casters, a motion picture style cart or a waterproof architectural enclosure. A light weight solid state ballast is also available.



**Strong**  
Lighting

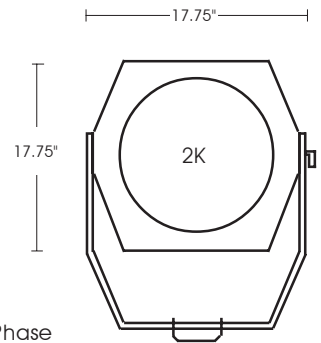
10533 Chandler Rd, Suite 101 La Vista,  
NE 68128  
Tel. 402-506-9096

[www.strong.lighting](http://www.strong.lighting)



**SPECIFICATIONS**

Head Length	24 1/2"
Head Width	17 3/4"
Head Height	17 3/4"
Overall Height w/Yoke	31 5/8"
Height of Pivot Point	22 3/8"
Horizontal Sweep	360°
Lamp	2,000 Watt Xenon
Power Requirement	20 amp, 220V Split Phase
Weight of Head and Yoke	75 lbs.



**SILVERBEAM MODELS**

- PSL-14/S/2K (Standard)
- PSL-14/MP/2K (Motion Picture)
- PSL-14/A/2K (Architectural)

**APPLICATIONS**

- Advertising, Theatrical, Concert Tours
- Motion Picture/Television, Photography
- Full Time Outdoor Applications

**PRELIMINARY PHOTOMETRICS**

Distance in Feet	Diameter	Beam Angle	Footcandles
Position #1	VNSP – Maximum Beam Candlepower		
50	14 inch	Collimated	55,000
100	14 inch	Collimated	13,750
200	14 inch	Collimated	3,400
Position #2	NSP – Average Beam Setting		
50	14 inch	1.5 Degrees	36,000
100	24 inch	1.5 Degrees	9,000
200	36 inch	1.5 Degrees	2,260
Position #3	WFL – Wide Angle Setting		
50	5 feet	10 Degrees	3,500
100	10 feet	10 Degrees	875
200	25 feet	10 Degrees	220